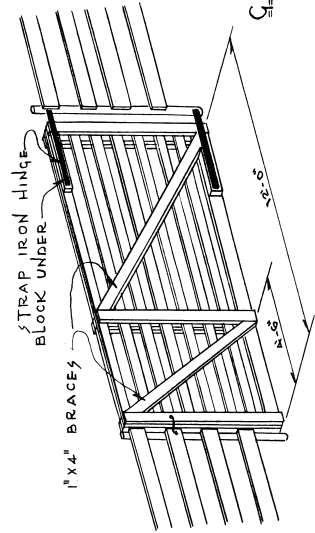


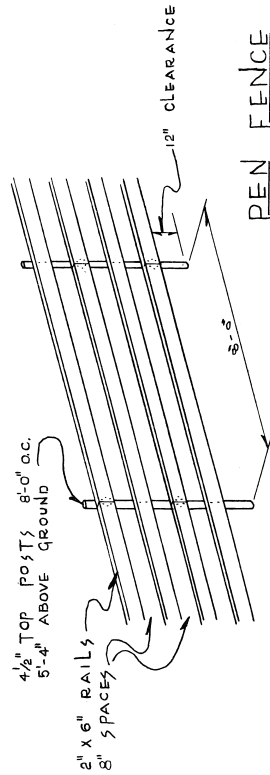
PEN FENCE  
 4 1/2" TOP POSTS  
 8'-0" O.C.  
 SEE DETAILS

**PLAN**  
 SCALE 1" = 20'-0"

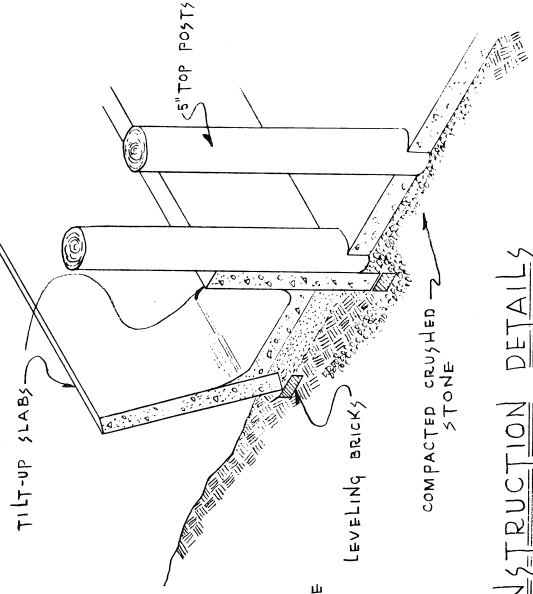
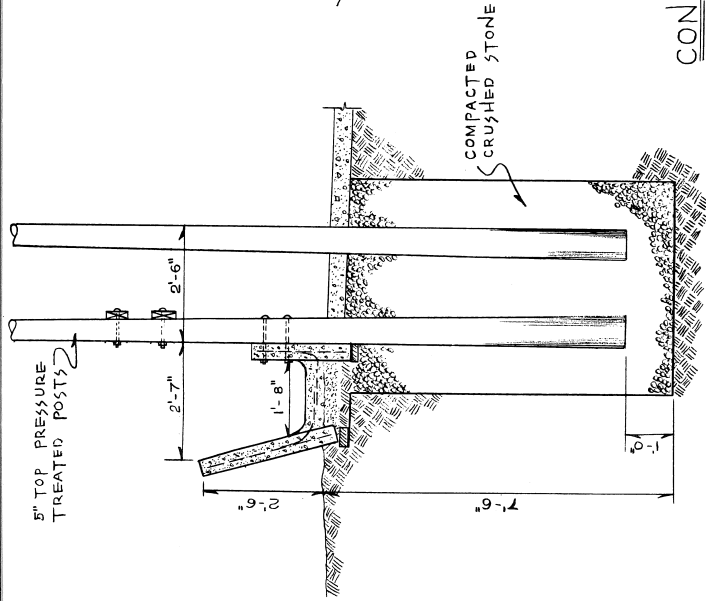
BEEF CATTLE FEED LOT (150 HEAD)	
PLAN NO. 635002	Agricultural Extension Service
University of Arkansas Division of Agriculture	SHEET 1 of 8 U. S. Department of Agriculture Cooperating



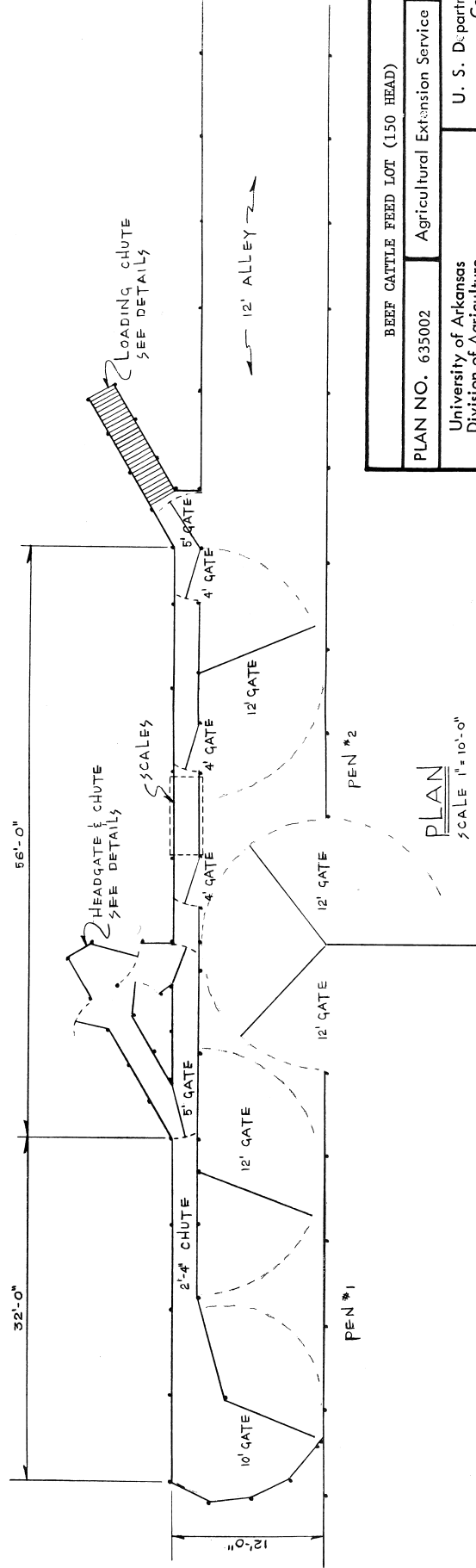
GATE DETAIL



PEN FENCE

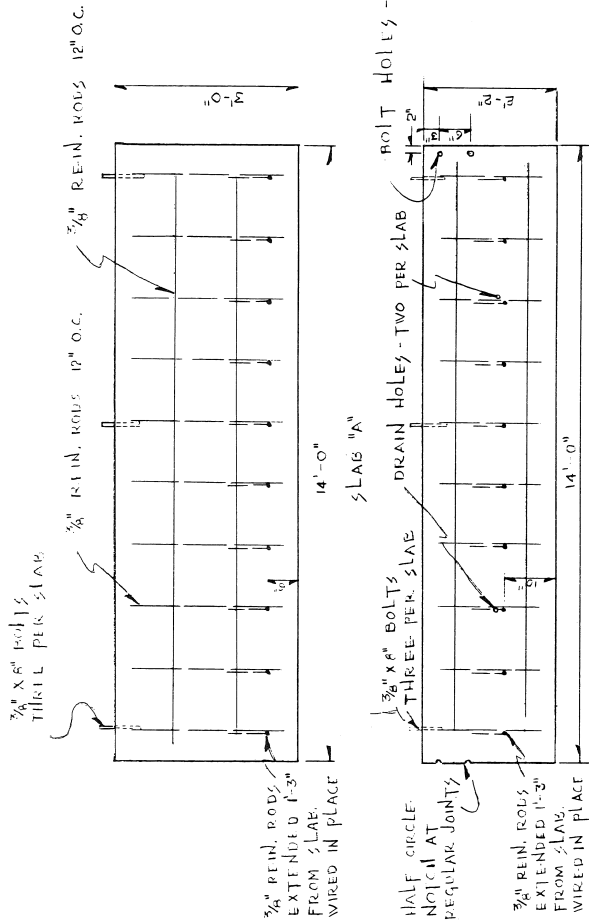


CONSTRUCTION DETAILS

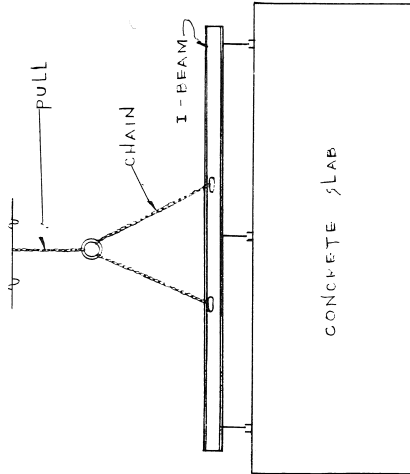


PLAN  
SCALE 1" = 10'-0"

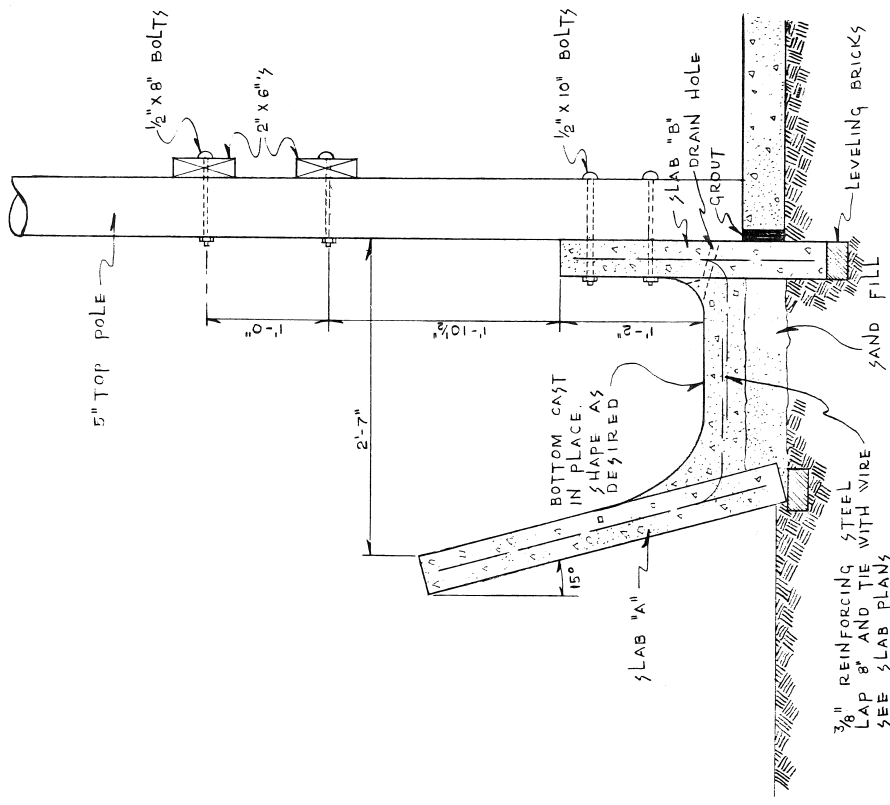
BEEF CATTLE FEED LOT (150 HEAD)	
PLAN NO. 635002	Agricultural Extension Service
University of Arkansas Division of Agriculture	U. S. Department of Agriculture Cooperating
SHEET 2 of 8	



SLAB DETAILS  
 SCALE 1/2" = 1'-0"

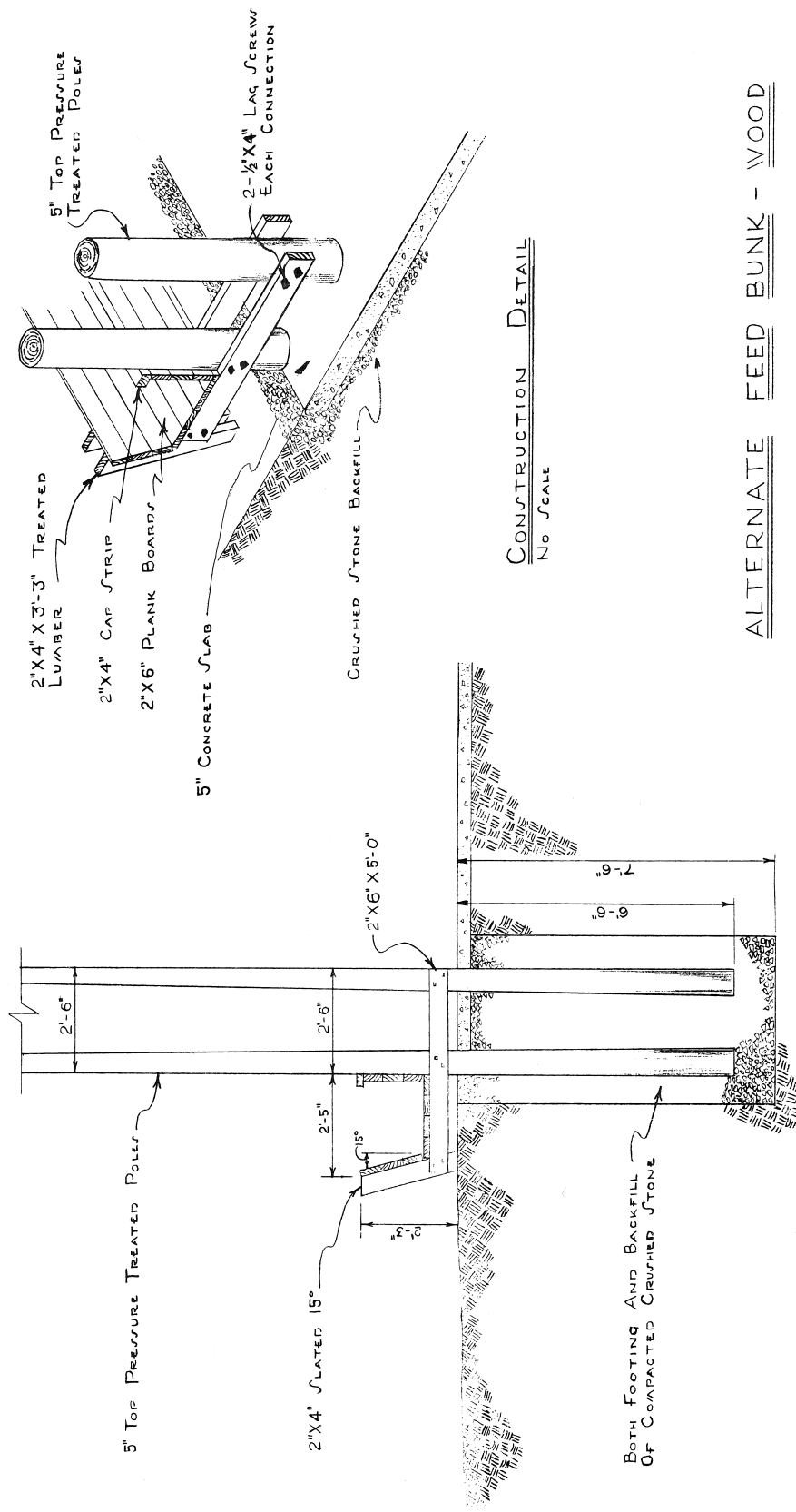


PICK-UP DEVICE  
 No. 3 SCALE



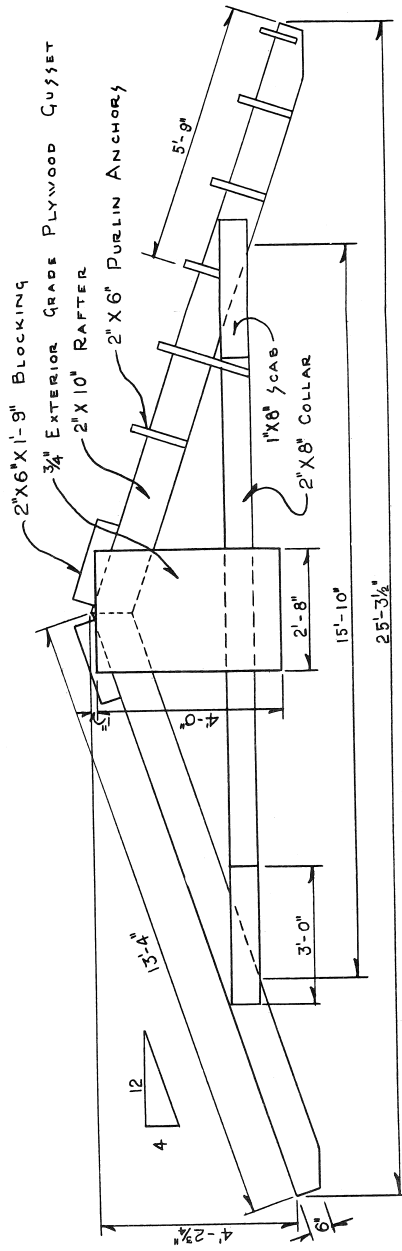
SECTION THROUGH TROUGH  
 SCALE 1" = 1'-0"

BEEF CATTLE FEED LOT (150 HEAD)	
PLAN NO. 635002	Agricultural Extension Service
University of Arkansas Division of Agriculture	SHEET 3 of 8
U. S. Department of Agriculture Cooperating	



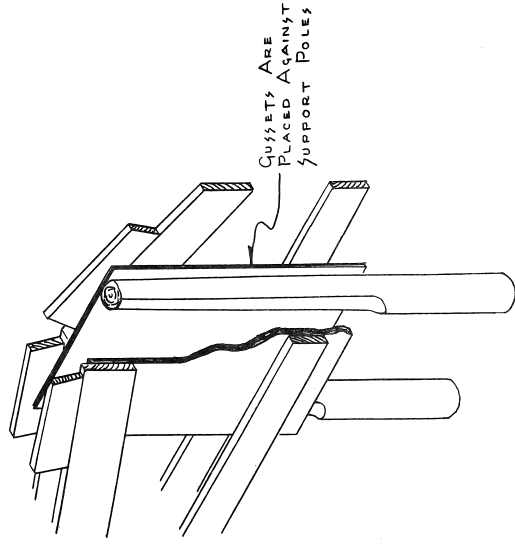
ALTERNATE FEED BUNK - WOOD

BEEF CATTLE FEED LOT (150 HEAD)	
PLAN NO. 635002	Agricultural Extension Service SHEET 4 of 8
University of Arkansas Division of Agriculture	U. S. Department of Agriculture Cooperating



TWO RAFTER-UNIT ASSEMBLIES ARE REQUIRED FOR EACH 14'-0" OF LENGTH, TWO UNITS ON EACH PAIR OF INSIDE POLES, AND ONE UNIT ON THE INSIDE FACE OF THE END POLES.

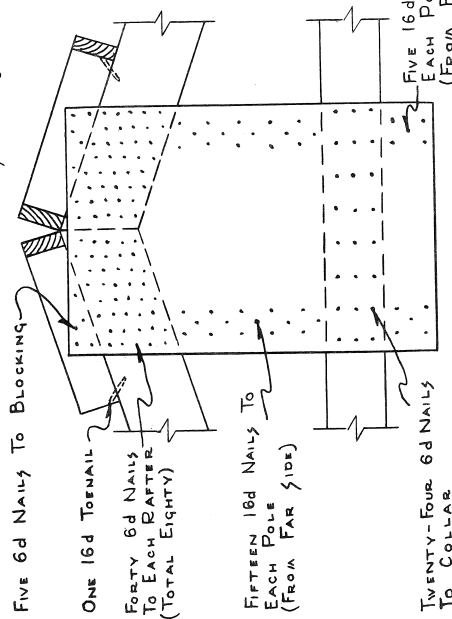
NAIL PURLIN ANCHORS IN PLACE ON RAFTER-UNIT BEFORE ASSEMBLY



GUSSETS ARE PLACED AGAINST SUPPORT POLES

RAFTER-UNIT ASSEMBLY DIAGRAM

SCALE 3/8" = 1'-0"



TIGHTEN EACH END OF PURLIN WITH ONE 16d NAIL TO RAFTER AND TWO 12d NAILS TO PURLIN ANCHOR OR BLOCKING (THIS NAILING NOT SHOWN)

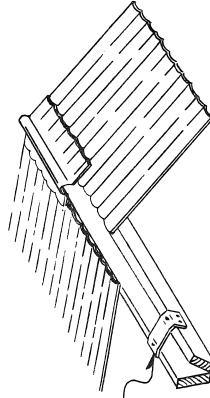
USE HOT-DIP GALVANIZED COMMON NAILS

NAILING DETAILS

SCALE 3/4" = 1'-0"

RAFTER-UNIT ERECTION

NO SCALE

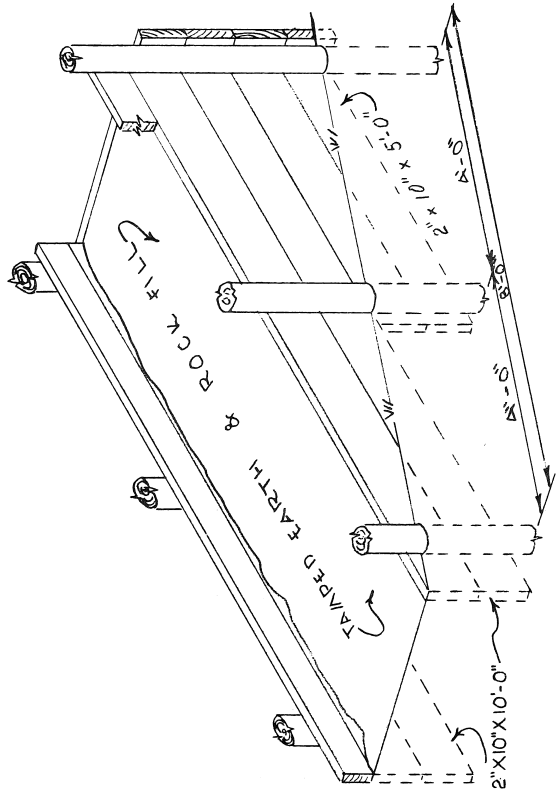
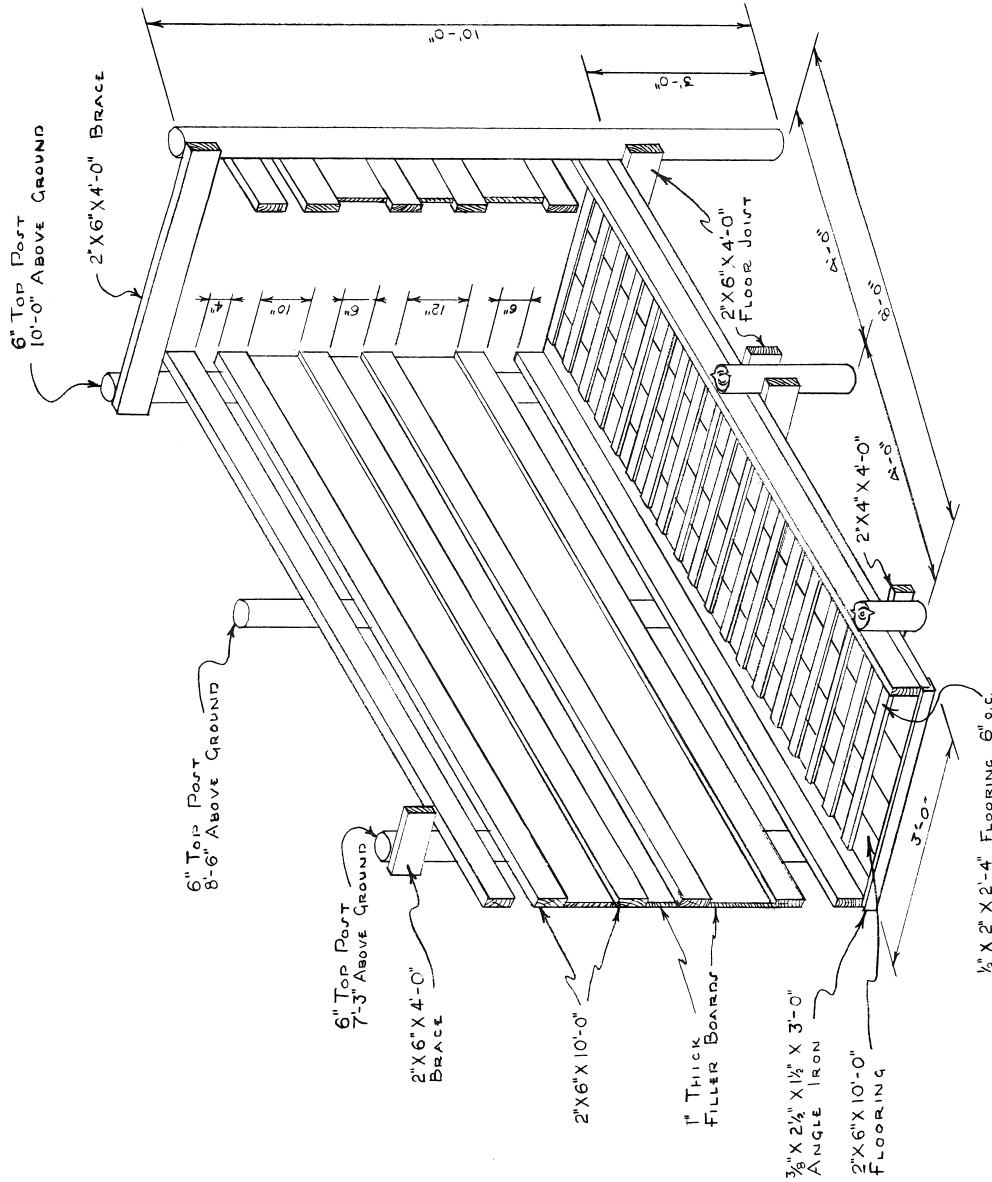


3x12 SHEET METAL TIES WITH THREE ROOFING NAILS TO EACH PURLIN. USE TWO TIES, 4'-8" O.C. IN EACH BAY.

RIDGE PURLIN TIES

NO SCALE

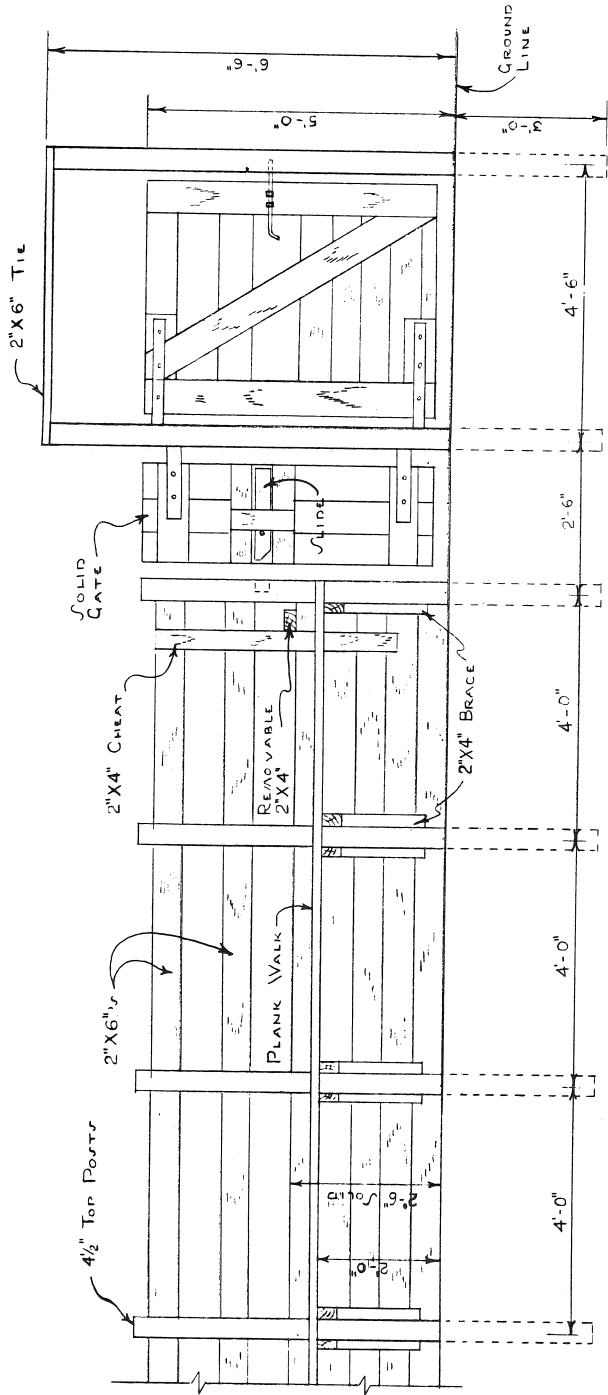
BEEF CATTLE FEED LOT (150 HEAD)	
PLAN NO. 635002	Agricultural Extension Service
University of Arkansas Division of Agriculture	SHEET 5 of 8 U. S. Department of Agriculture Cooperating



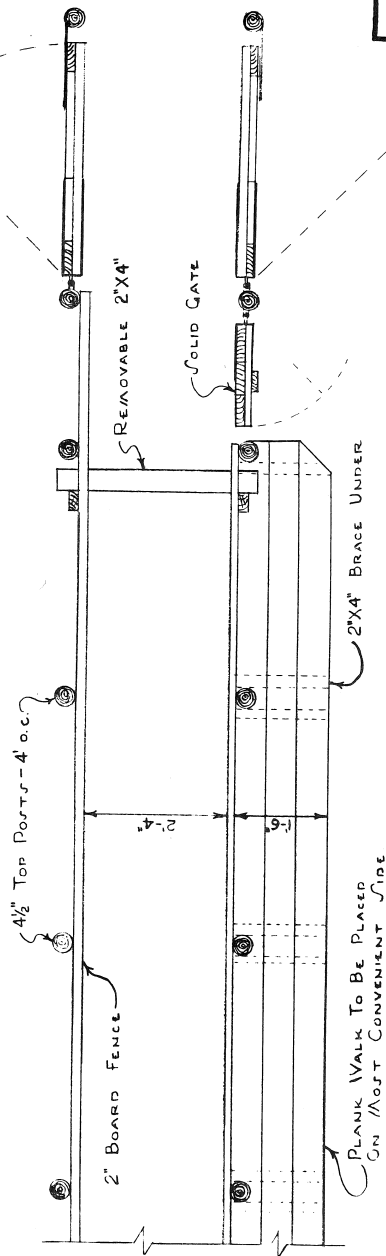
**ALTERNATE FLOOR FOR LOADING CHUTE**  
 (ALL UPPER DIMENSIONS SAME AS AT LEFT)

**STATIONARY LOADING CHUTE**  
 No Scale

BEEF CATTLE FEED LOT (150 HEAD)		SHEET 6 of 8	
PLAN NO. 635002	Agricultural Extension Service	U. S. Department of Agriculture Cooperating	



SIDE ELEVATION  
SCALE 1/2" = 1'-0"



PLAN  
SCALE 1/2" = 1'-0"

BEEF CATTLE FEED LOT (150 HEAD)

PLAN NO. 635002

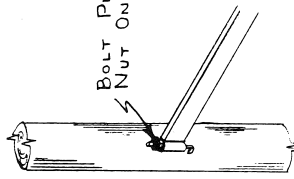
Agricultural Extension Service

SHEET

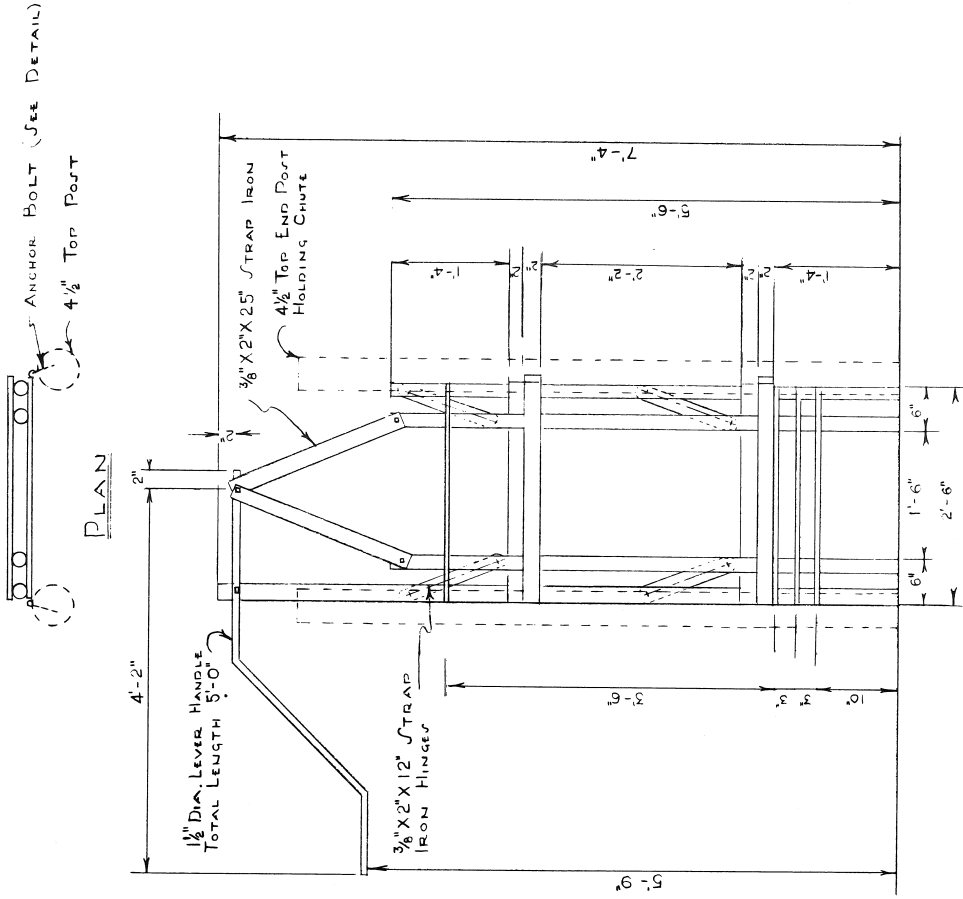
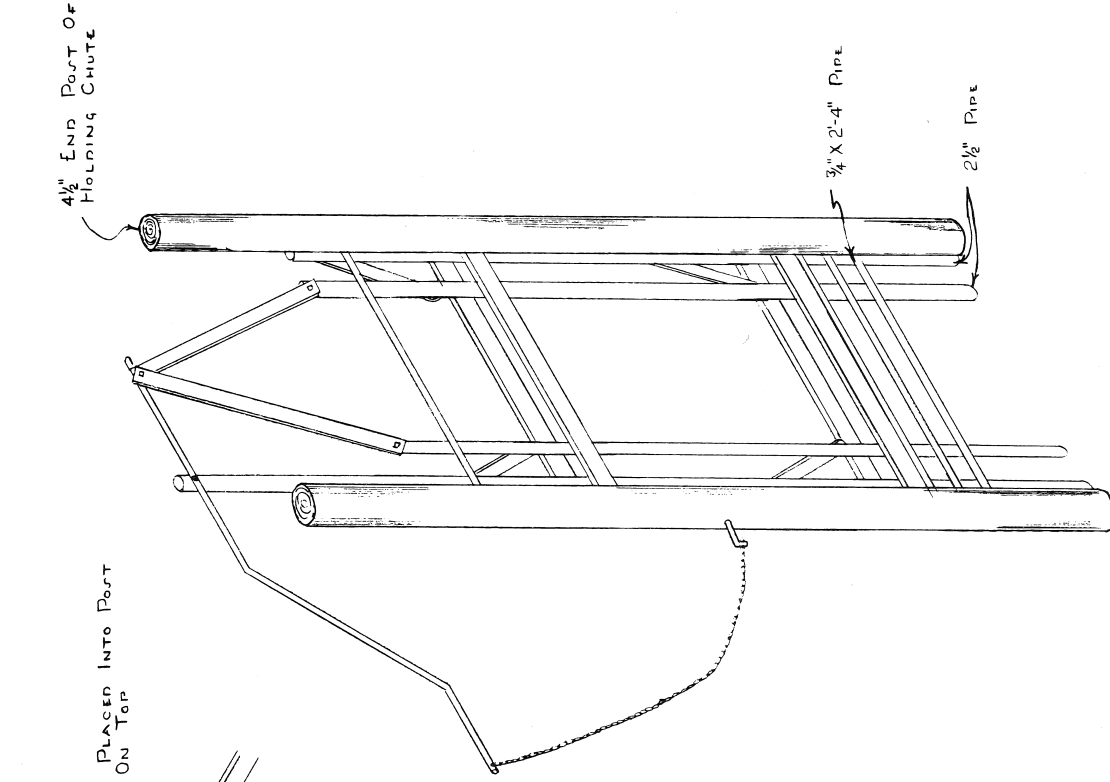
7 of 8

University of Arkansas  
Division of Agriculture

U. S. Department of Agriculture  
Cooperating



ANCHOR DETAIL  
SCALE 1" = 1'-0"



BEEF CATTLE FEED LOT (150 HEAD)	
PLAN NO. 635002	Agricultural Extension Service
University of Arkansas Division of Agriculture	SHEET 8 of 8
U. S. Department of Agriculture Cooperating	



## Disclaimer

This site makes available conceptual plans that can be helpful in developing building layouts and selecting equipment for various agricultural applications. These plans may be outdated and do not necessarily represent the most current technology, construction codes, or agricultural practices. They are not construction plans and do not replace the need for competent design assistance in developing safe, legal and well-functioning agricultural building system. The University of Arkansas Cooperative Extension Service, the United States Department of Agriculture and none of the cooperating land-grant universities warranty these plans.