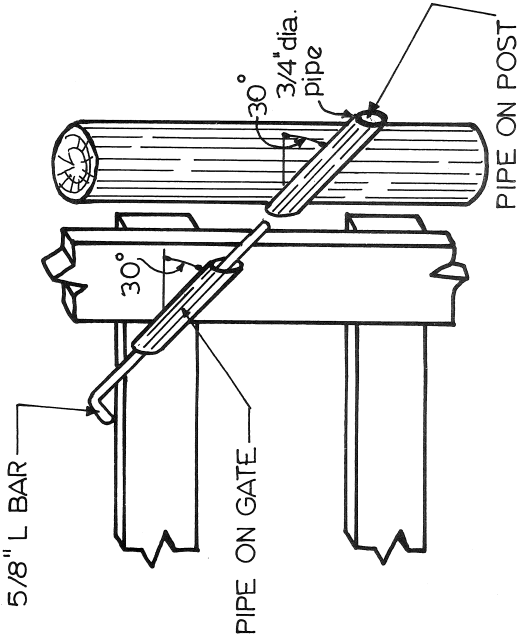
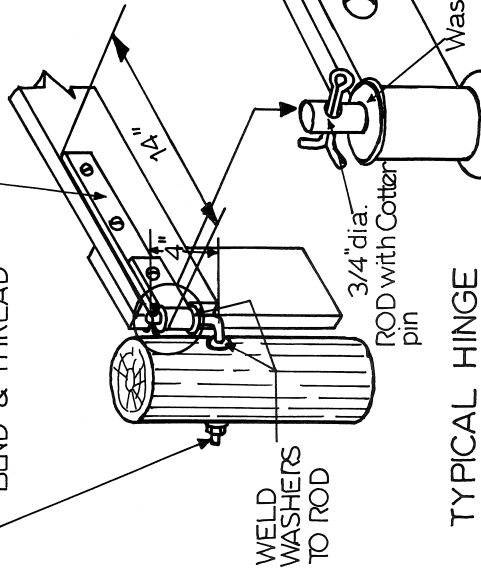


GATE LATCH

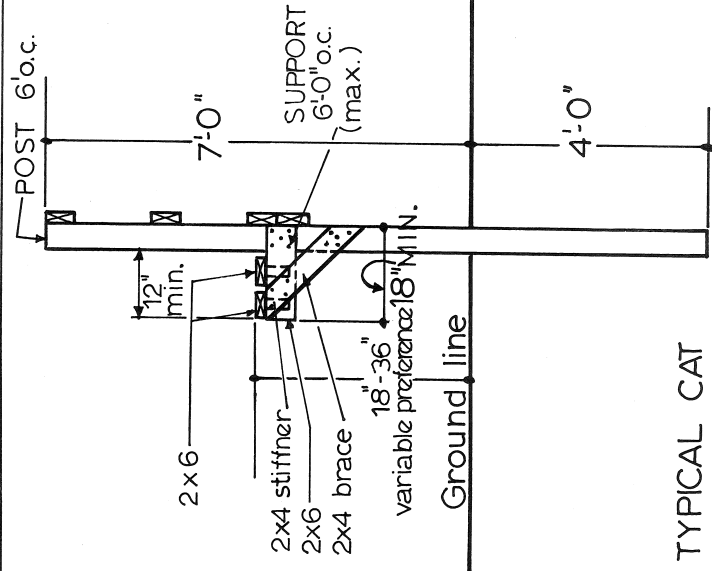


GATE LATCH

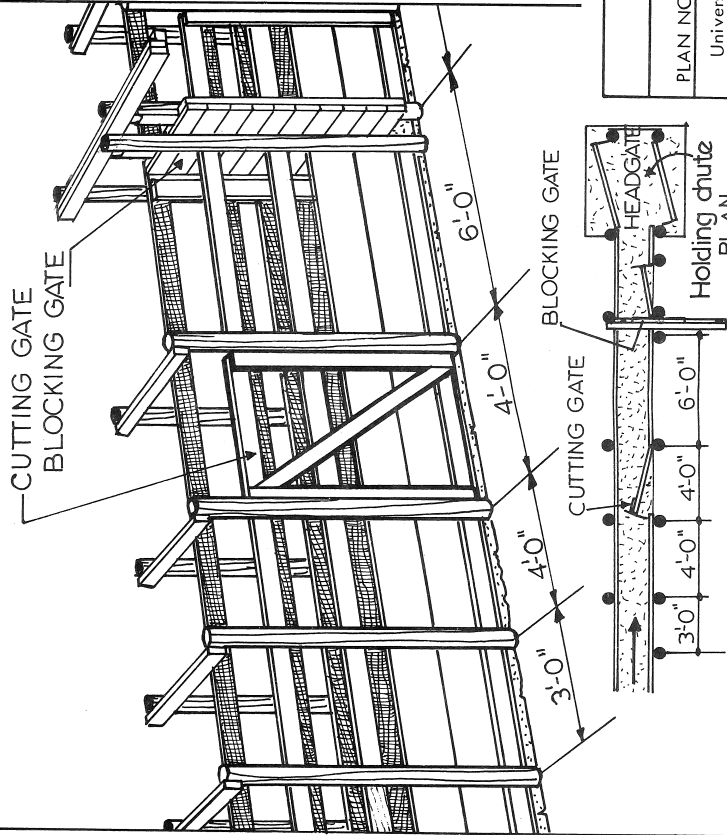
1/4" x 2" x 22" STRAP  
3/4" x 10 1/2" ROD  
BEND & THREAD



TYPICAL HINGE



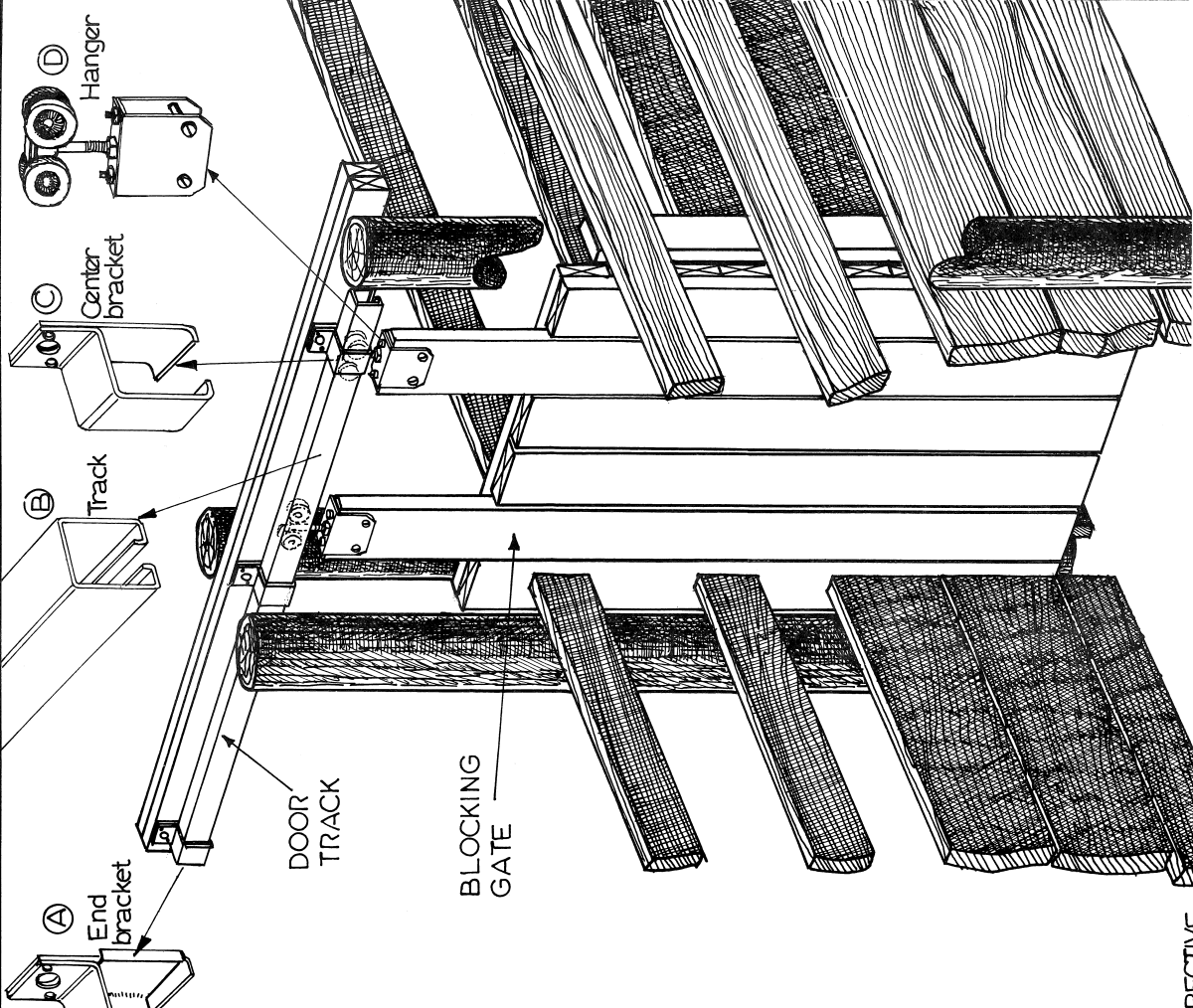
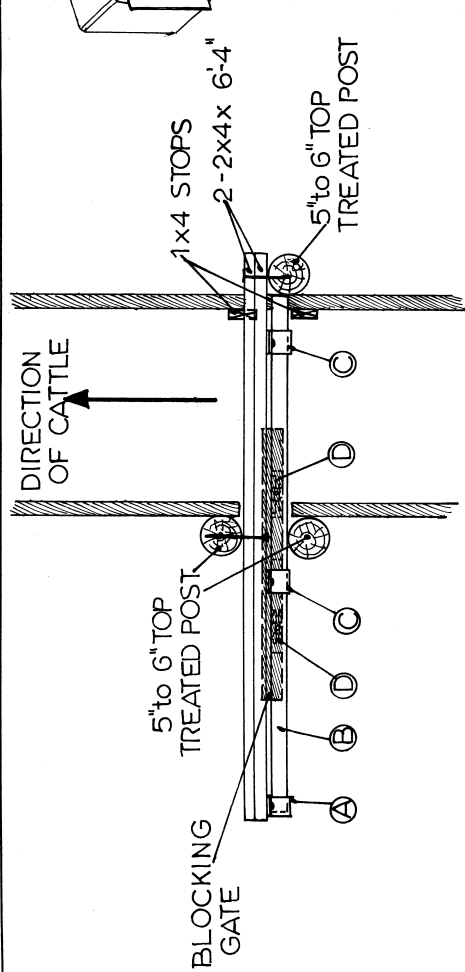
TYPICAL CAT WALK



FULL SWING HINGE

PLAN NO. 875001	COOPERATIVE EXTENSION SERVICE	SHEET 4 of 6
University of Arkansas Division of Agriculture		
U. S. Department of Agriculture Cooperating		

CATTLE CORRAL

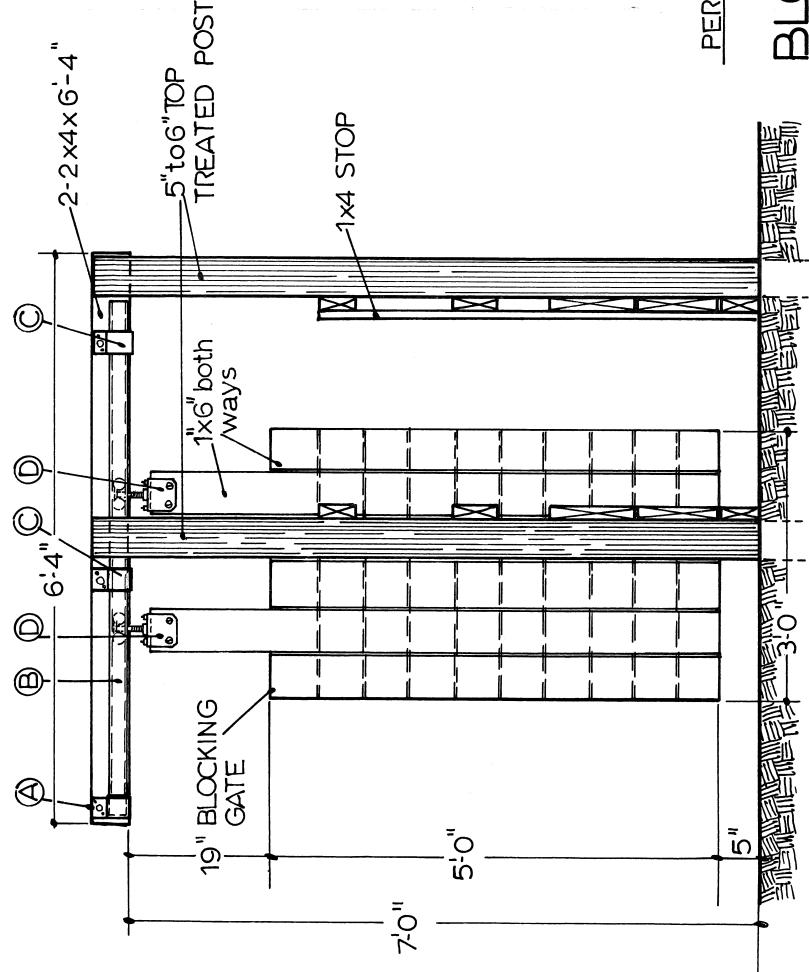


PERSPECTIVE

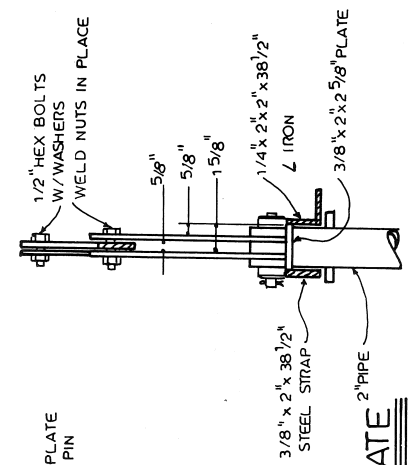
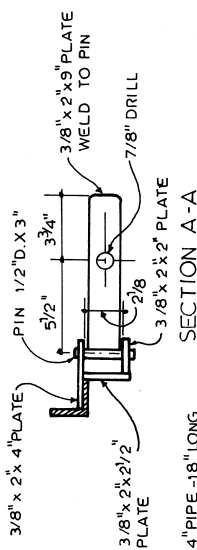
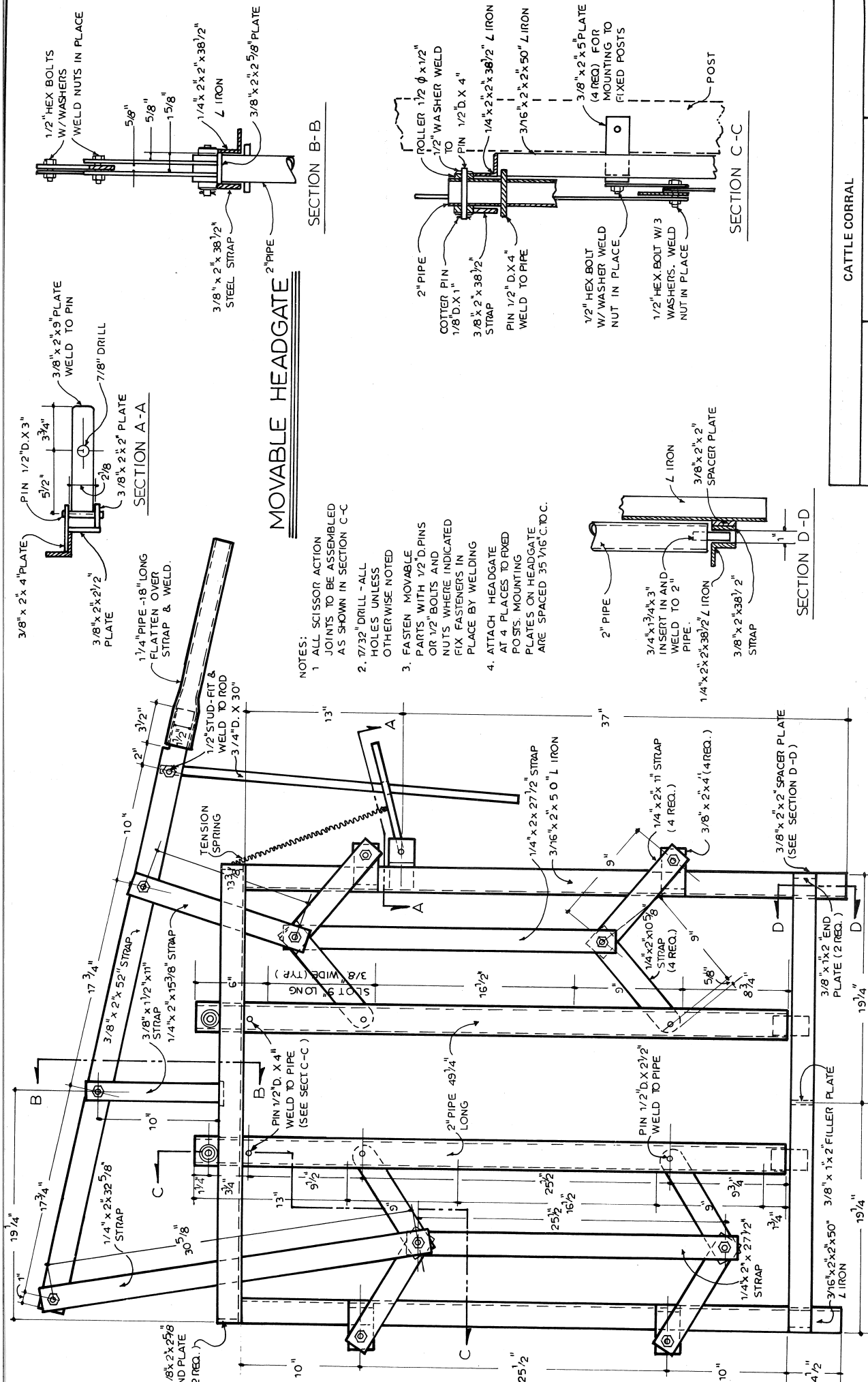
# BLOCKING GATE

CATTLE CORRAL

PLAN NO. 875001	COOPERATIVE EXTENSION SERVICE	SHEET 5 of 6
University of Arkansas Division of Agriculture		
U. S. Department of Agriculture Cooperating		

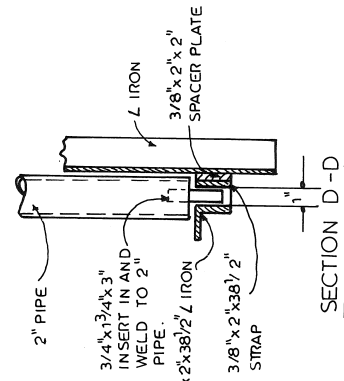
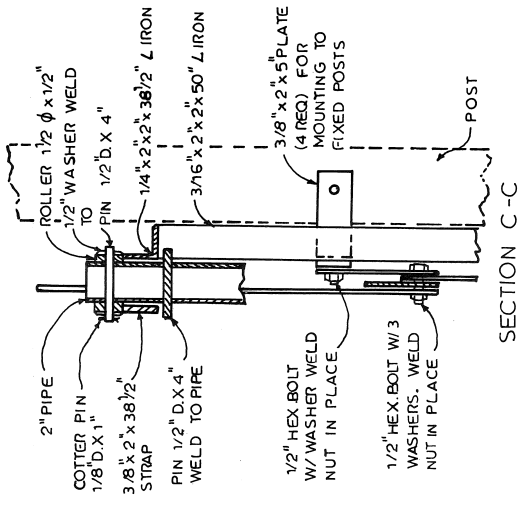


TYPICAL CROSS SECTION  
Scale 3/4" = 1'-0"



### MOVABLE HEADGATE

- NOTES:
1. ALL SCISSOR ACTION JOINTS TO BE ASSEMBLED AS SHOWN IN SECTION C-C
  2. 7/32" DRILL - ALL HOLES UNLESS OTHERWISE NOTED
  3. FASTEN MOVABLE PARTS WITH 1/2" D PINS OR 1/2" BOLTS AND NUTS WHERE INDICATED. FIX FASTENERS IN PLACE BY WELDING.
  4. ATTACH HEADGATE AT 4 PLACES TO FIXED POSTS. MOUNTING PLATES ON HEADGATE ARE SPACED 35 1/16" C.T.O.C.



CATTLE CORRAL	
PLAN NO. 875001	COOPERATIVE EXTENSION SERVICE
University of Arkansas Division of Agriculture	SHEET 6 of 6
U. S. Department of Agriculture Cooperating	

ELEVATION  
NO SCALE

## Disclaimer

This site makes available conceptual plans that can be helpful in developing building layouts and selecting equipment for various agricultural applications. These plans may be outdated and do not necessarily represent the most current technology, construction codes, or agricultural practices. They are not construction plans and do not replace the need for competent design assistance in developing safe, legal and well-functioning agricultural building system. The University of Arkansas Cooperative Extension Service, the United States Department of Agriculture and none of the cooperating land-grant universities warranty these plans.