

CATTLE CORRAL

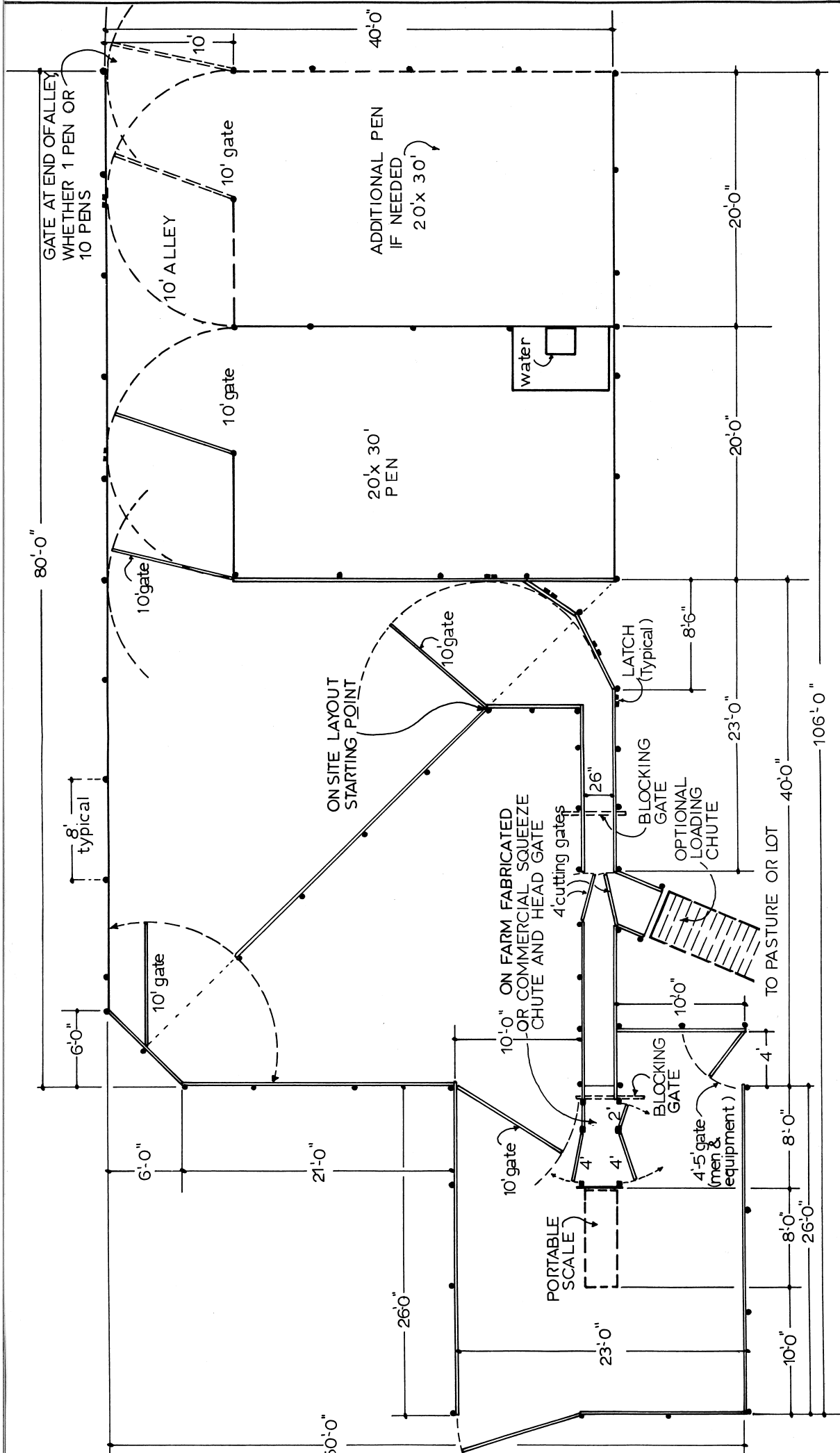
PLAN NO. 875002

COOPERATIVE EXTENSION SERVICE

SHEET 1 of 6

University of Arkansas

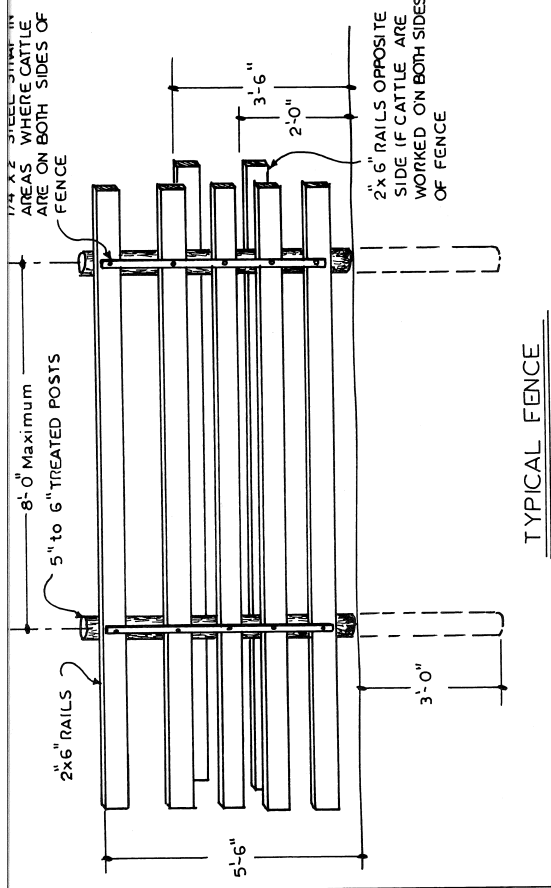
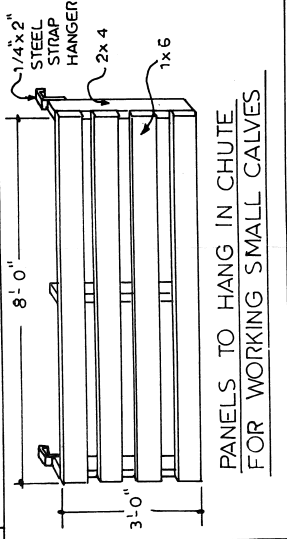
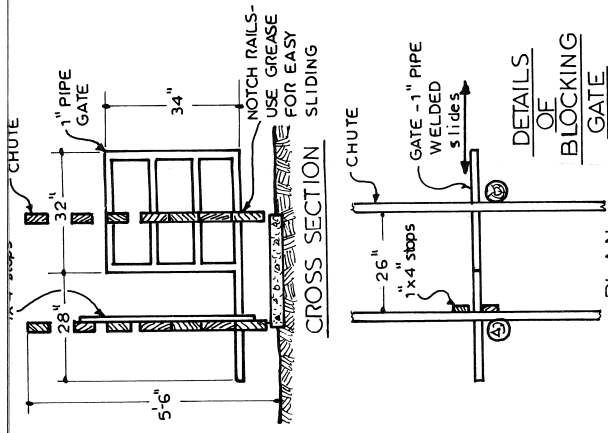
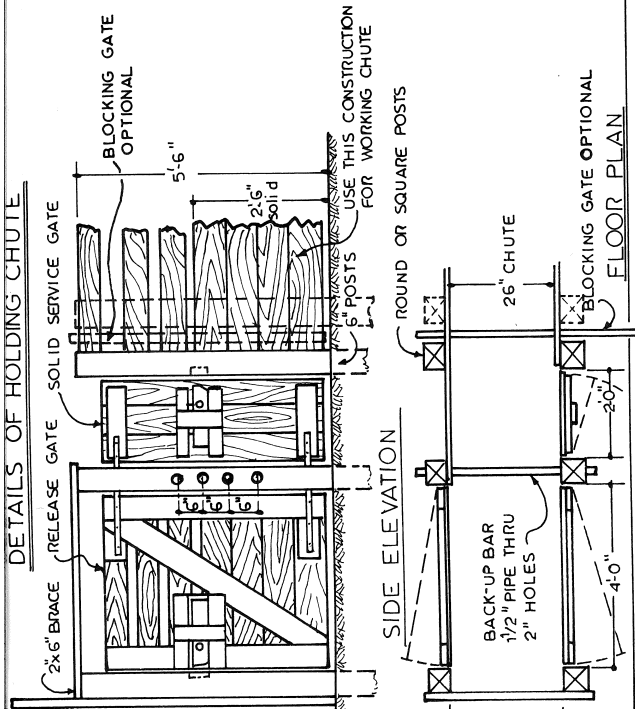
U. S. Department of Agriculture



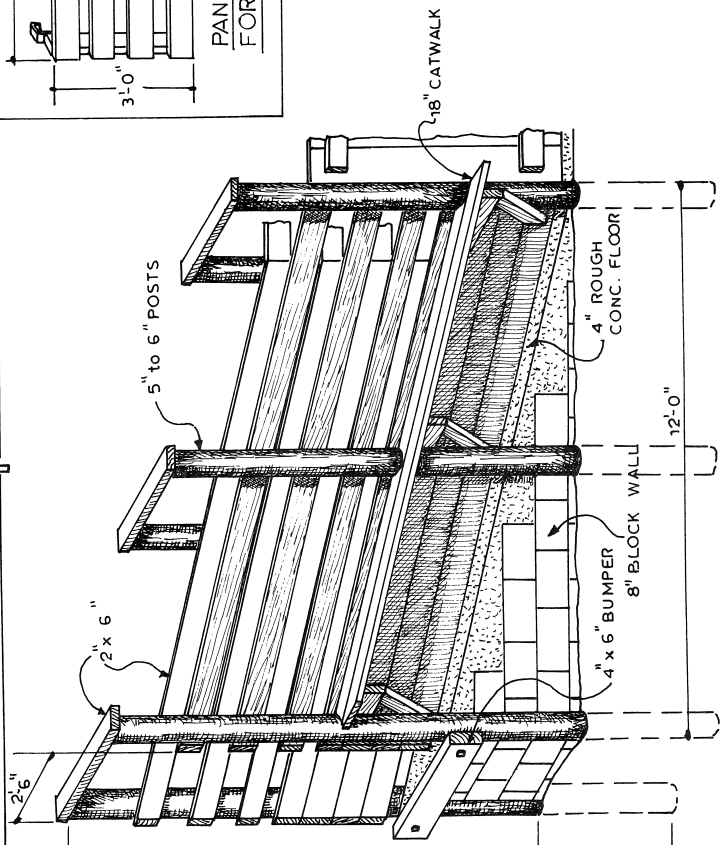
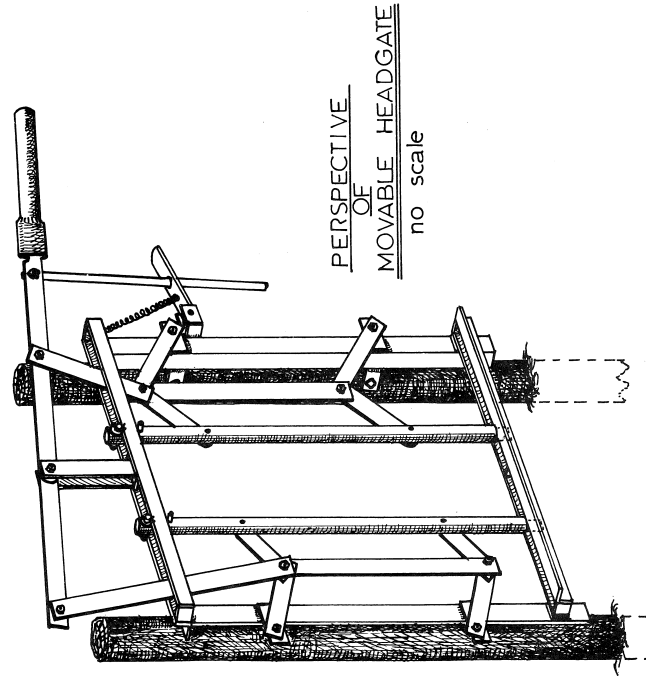
CATTLE CORRAL	
PLAN NO. 875002	COOPERATIVE EXTENSION SERVICE
University of Arkansas Division of Agriculture	
U. S. Department of Agriculture Cooperating	
SHEET 2 of 6	

FLOOR PLAN
NO SCALE

DETAILS OF HOLDING CHUTE

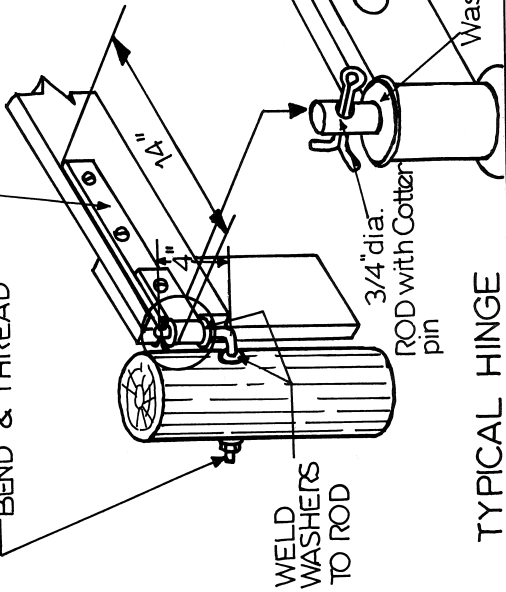


TYPICAL FENCE

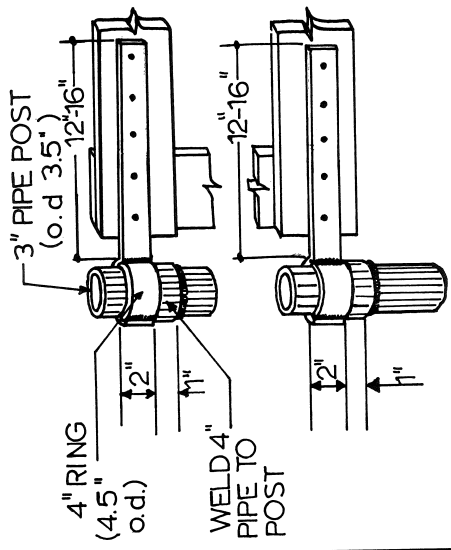


1/4 x 2 x 22 STRAP

3/4" x 10 1/2" ROD
BEND & THREAD

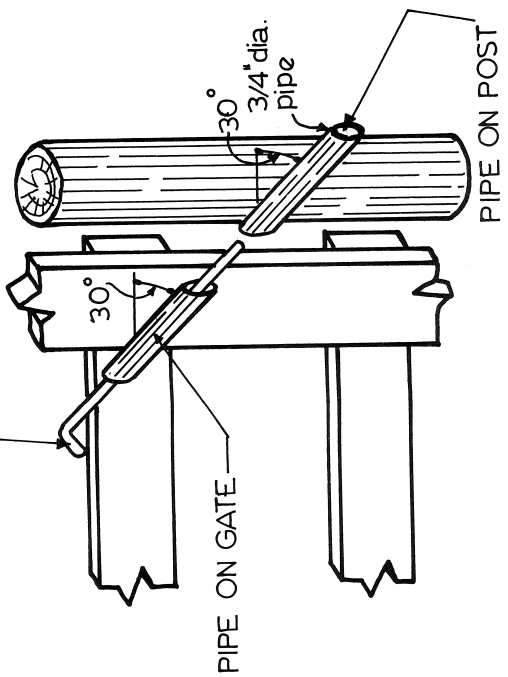


TYPICAL HINGE

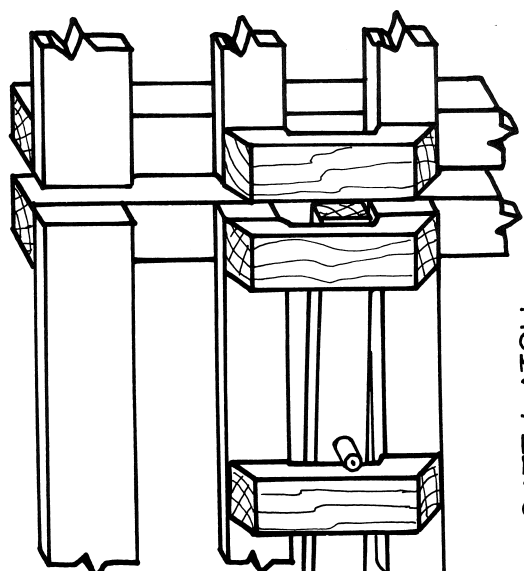


FULL SWING HINGE

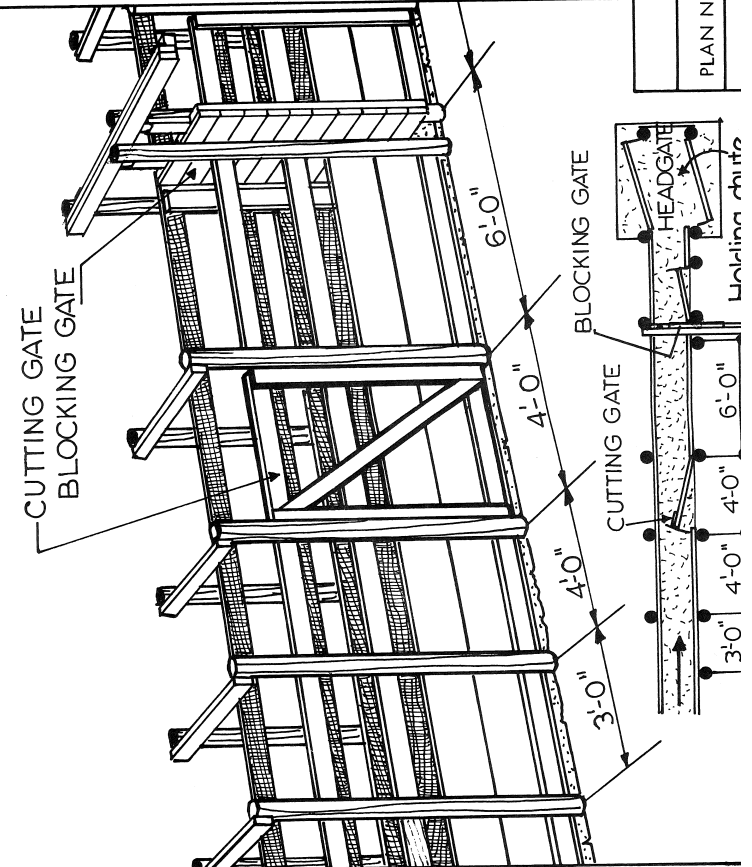
5/8" L BAR



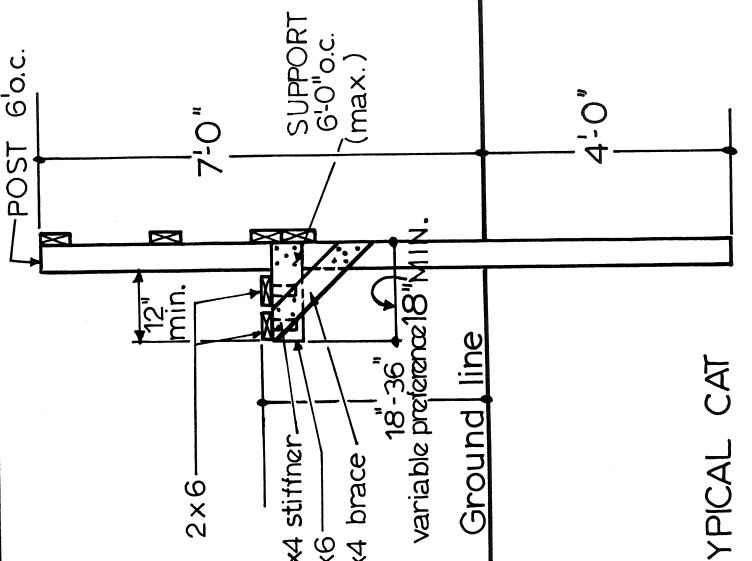
GATE LATCH



GATE LATCH



TYPICAL CAT

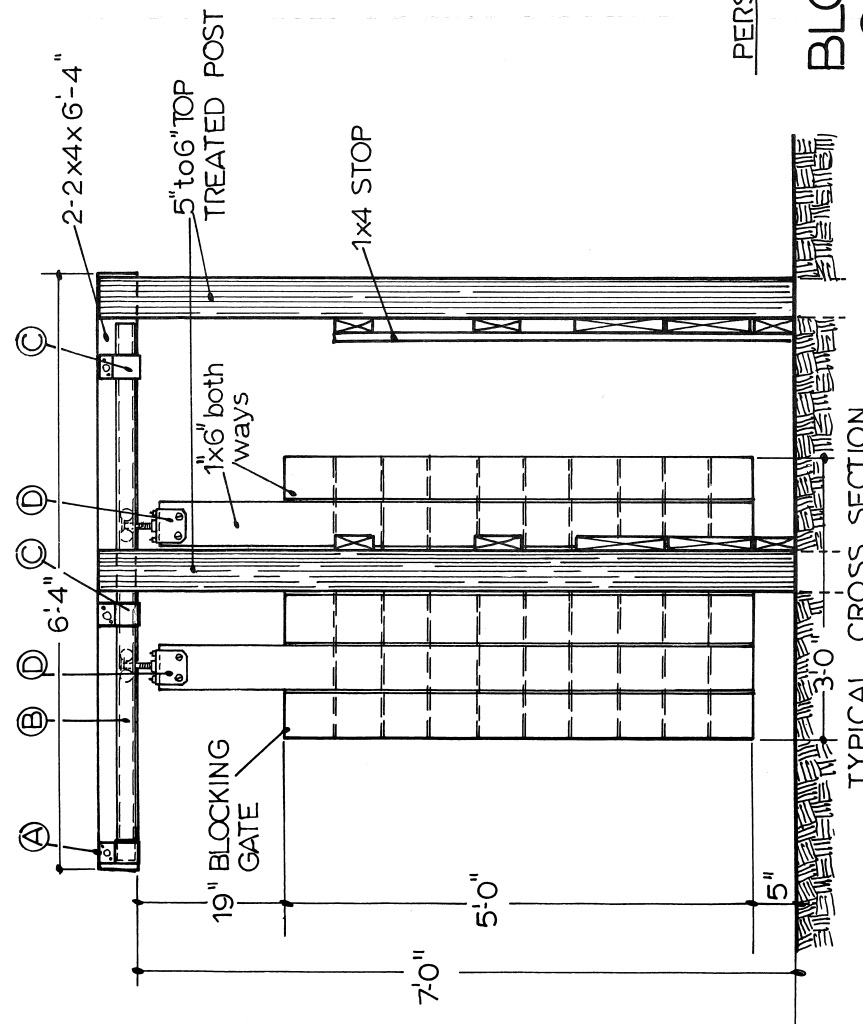
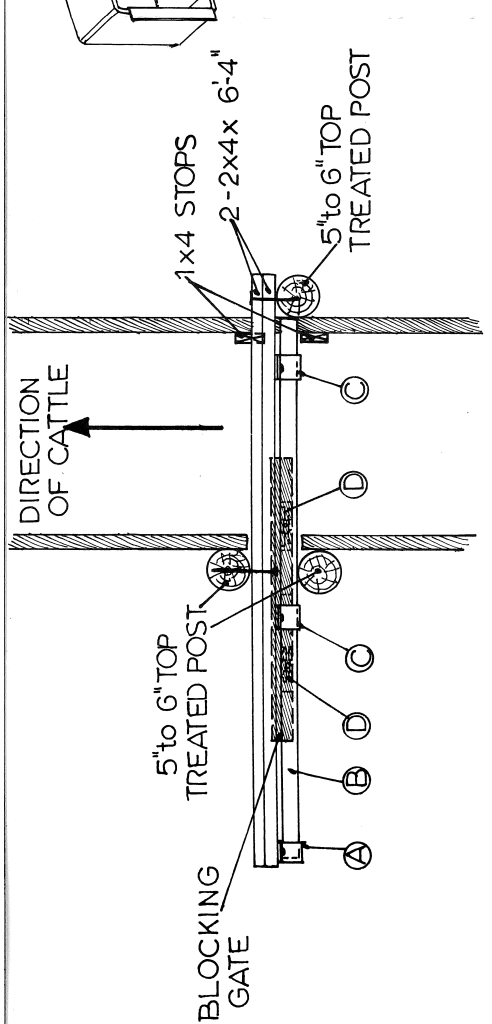
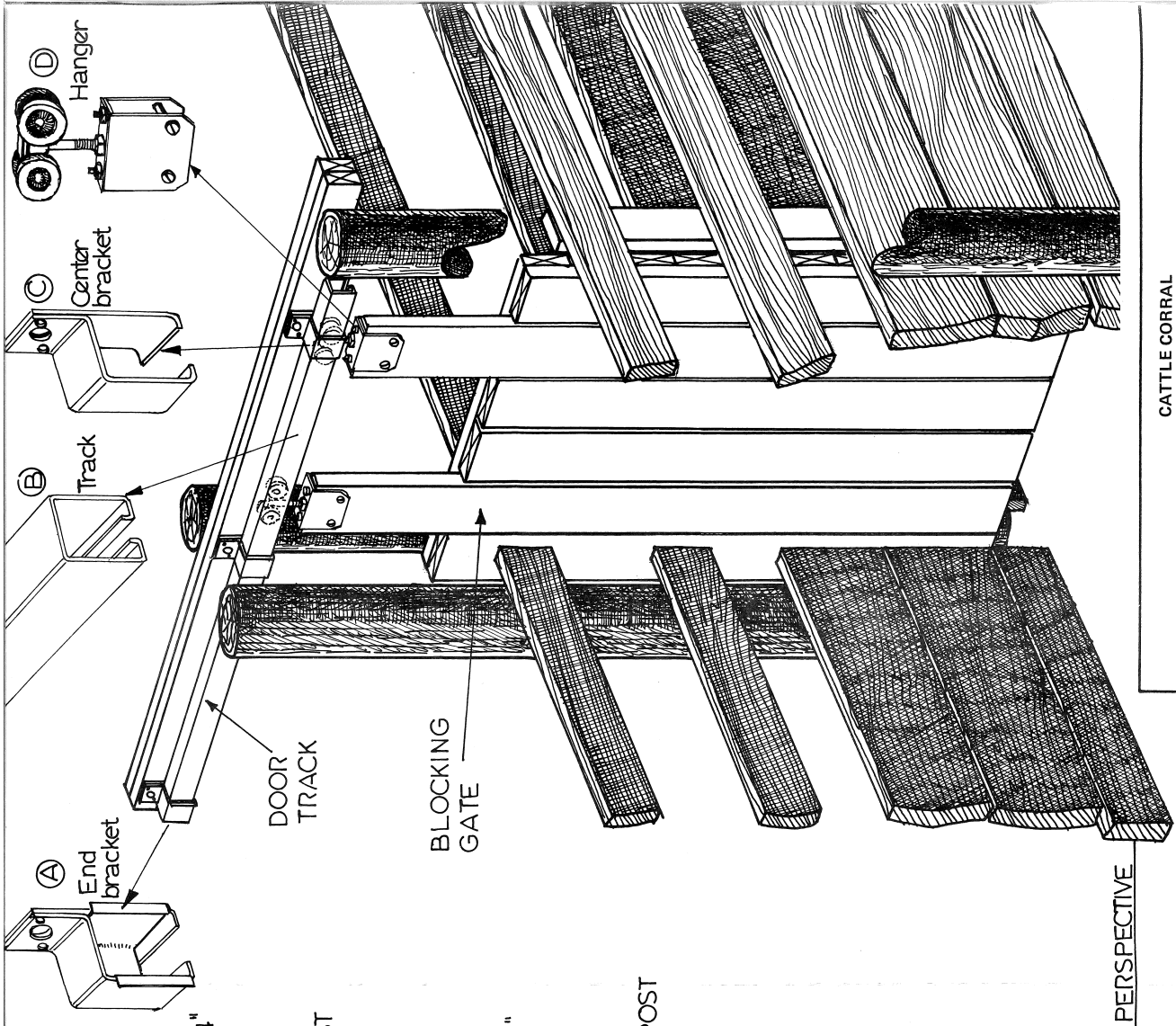


CATTLE CORRAL

PLAN NO. 875002

COOPERATIVE EXTENSION SERVICE

SHEET 4 of 6



CATTLE CORRAL

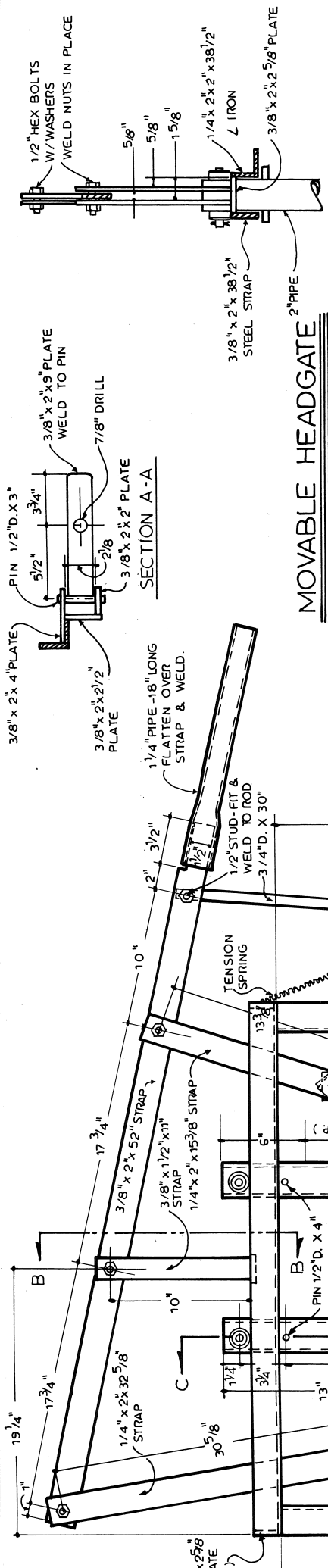
PLAN NO. 875002

COOPERATIVE EXTENSION SERVICE

SHEET 5 of 6

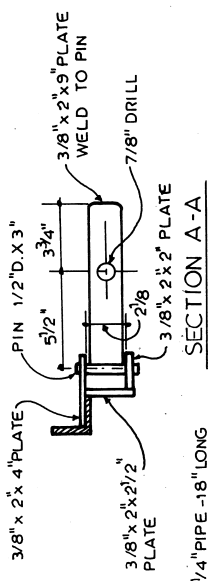
BLOCKING

TYPICAL CROSS SECTION

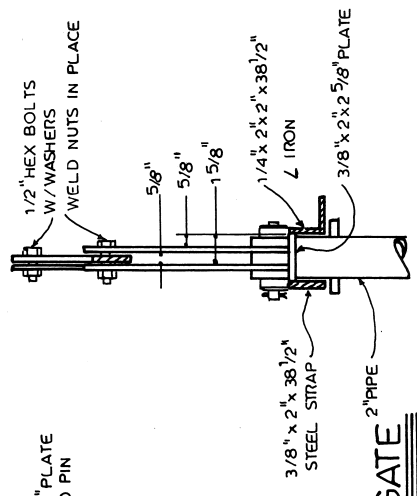


MOVABLE HEADGATE

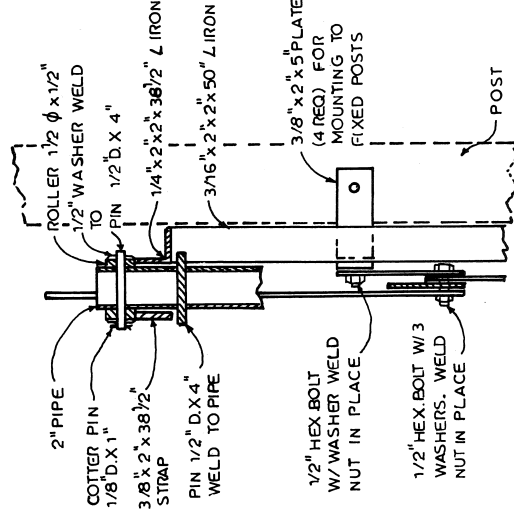
- NOTES:
1. ALL SCISSOR ACTION JOINTS TO BE ASSEMBLED AS SHOWN IN SECTION C-C
 2. 7/32" DRILL - ALL HOLES UNLESS OTHERWISE NOTED
 3. FASTEN MOVABLE PARTS WITH 1/2" D.PINS OR 1/2" BOLTS AND NUTS WHERE INDICATED. FIX FASTENERS IN PLACE BY WELDING
 4. ATTACH HEADGATE AT 4 PLACES TO FIXED POSTS. MOUNTING PLATES ON HEADGATE ARE SPACED 35 1/16" C.T.O.C.



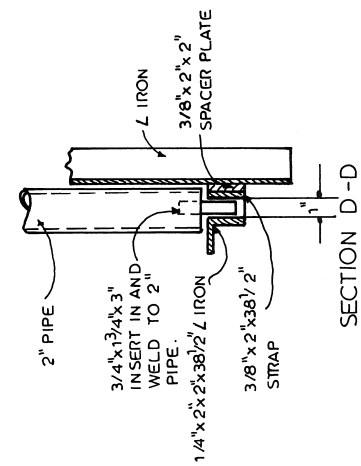
SECTION A-A



SECTION B-B



SECTION C-C



SECTION D-D

Disclaimer

This site makes available conceptual plans that can be helpful in developing building layouts and selecting equipment for various agricultural applications. These plans may be outdated and do not necessarily represent the most current technology, construction codes, or agricultural practices. They are not construction plans and do not replace the need for competent design assistance in developing safe, legal and well-functioning agricultural building system. The University of Arkansas Cooperative Extension Service, the United States Department of Agriculture and none of the cooperating land-grant universities warranty these plans.