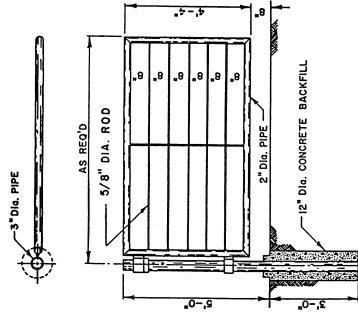
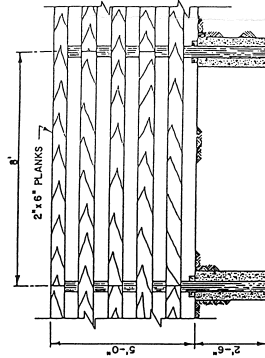
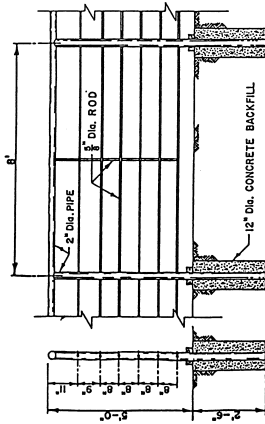


NOTE:

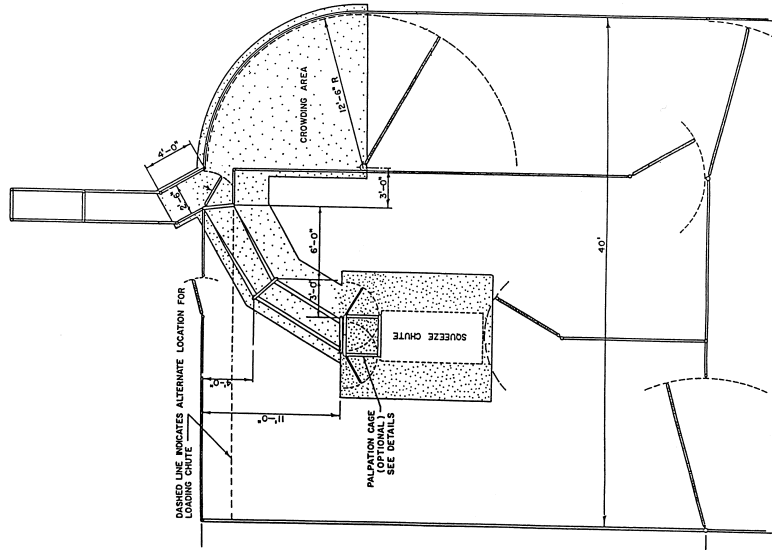
1. USE PRESERVE TREATED POSTS WITH A MINIMUM TOP DIAMETER OF 4".
2. FASTEN PLANKS TO POSTS WITH 3 RING OR SCREEN SHANK NAILS, STAGGERED TO AVOID SPLITTING THE PLANK.



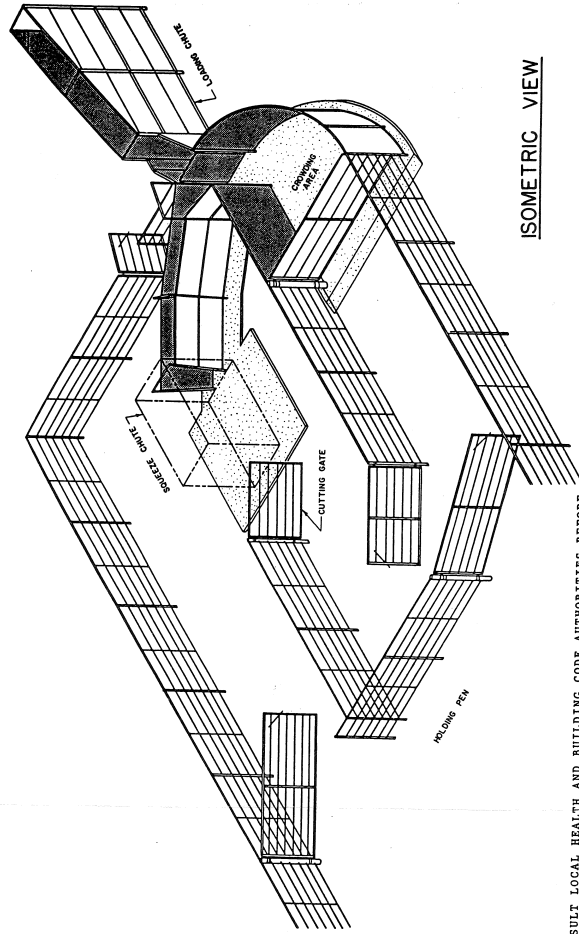
TYPICAL GATE LATCH

TYPICAL FENCE DETAILS

TYPICAL GATE DETAILS



PLAN VIEW

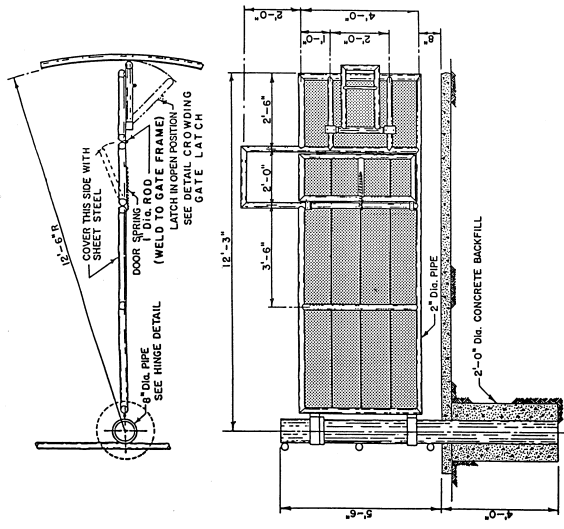


ISOMETRIC VIEW

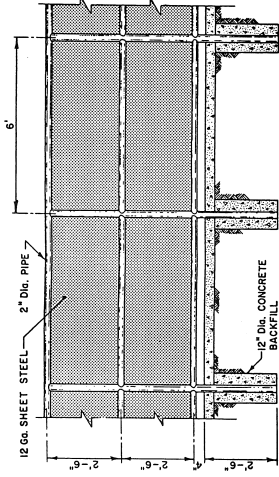
DRAWINGS NOT TO SCALE

- NOTES:
1. CONSULT LOCAL HEALTH AND BUILDING CODE AUTHORITIES BEFORE BEGINNING CONSTRUCTION.
 2. BEGIN CONSTRUCTION WITH PLACEMENT OF CROWDING GATE POST. THE REMAINDER OF WORKING FACILITY IS LAID OUT FROM THIS POINT.
 3. PLACE CONCRETE OVER WELL-DRAINED, UNDISTURBED SOIL, TAMPED SOIL, OR GRAVEL FILL. ALL SURFACE ORGANIC MATTER, MANURE, TRASH, AND SOFT SOIL SHOULD BE REMOVED.
 4. SPONGY SOIL TO 10 MW MESH WITH CONCRETE PLACED OVER SOFT OR SLOPE CROWDING AREA FLOOR 1/4" PER FOOT TO OUTSIDE FOR DRAINAGE.
 5. PROVIDE A ROUGH CONCRETE FINISH TO INSURE STABLE FOOTING FOR ANIMALS.
 6. ALL SHEET STEEL MOUNTED INSIDE OF POSTS.

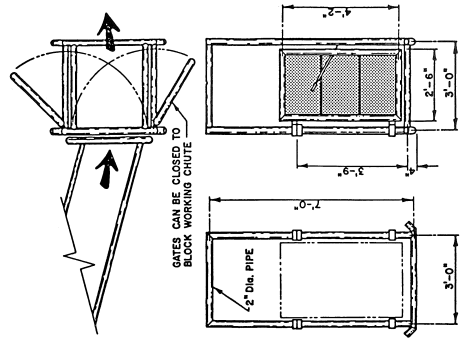
CORRAL WITH WORKING FACILITIES	
OK-75	COOPERATIVE EXTENSION SERVICE
EX 6230	U. S. Department of Agriculture
	Cooperating
PLAN NO. 875005	
SHEET 1 of 3	



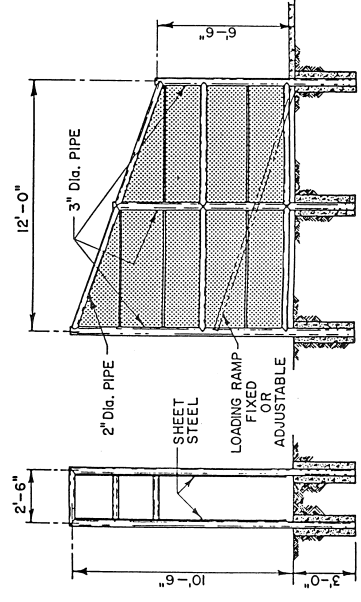
CROWDING GATE DETAILS



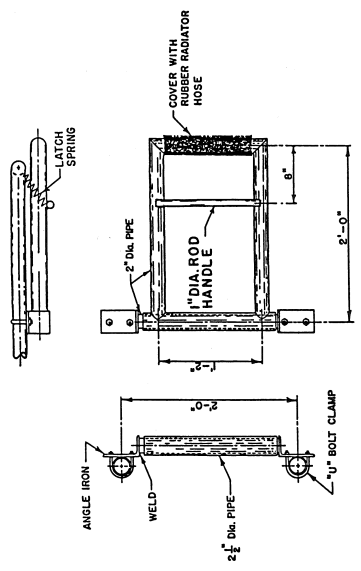
CROWDING AREA FENCE



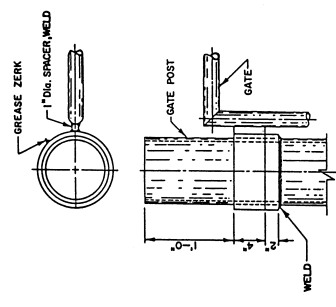
PALPATION CAGE



LOADING CHUTE ELEVATIONS



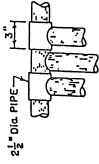
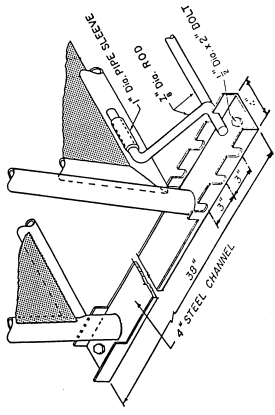
CROWDING GATE LATCH DETAIL



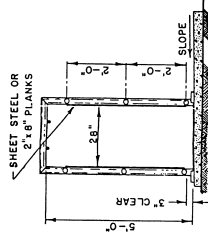
CROWDING GATE HINGE DETAIL

DRAWINGS NOT TO SCALE

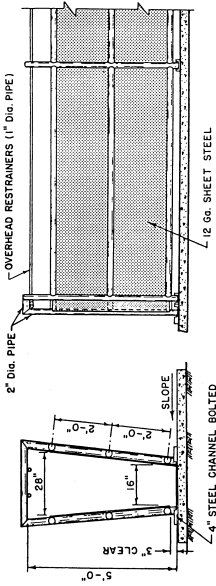
CORRAL WITH WORKING FACILITIES	
OK - 75	COOPERATIVE EXTENSION SERVICE EX 6230
University of Arkansas Division of Agriculture Cooperating	
PLAN NO. 875005	SHEET 2 of 3



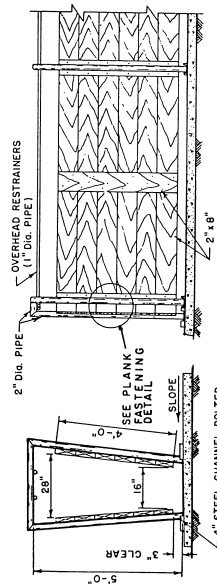
PANEL SUPPORT HINGES



ALTERNATE CONSTRUCTION FOR STATIONARY WORKING CHUTE

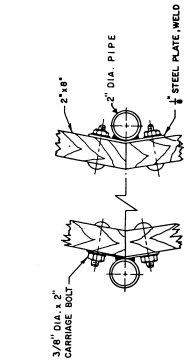


PIPE & SHEET STEEL



PIPE & PLANK

STATIONARY WORKING CHUTE

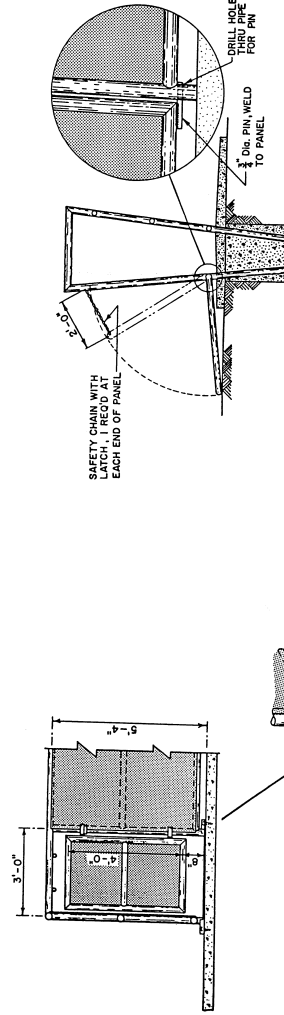


PLANK FASTENING DETAIL

NOTE: AT WIDEST SETTING (18"), ADJUSTABLE PANEL IS FLUSH WITH STATIONARY PIPE SUPPORT.

PIPE & SHEET STEEL

ADJUSTABLE WORKING CHUTE



WORKING CHUTE ENTRANCE

EMERGENCY SIDE EXIT

DRAWINGS NOT TO SCALE

CORRAL WITH WORKING FACILITIES	
OK. 75	COOPERATIVE EXTENSION SERVICE EX 6220
University of Arkansas Division of Agriculture	
U. S. Department of Agriculture Cooperating	
PLAN NO. 875005	SHEET 3 of 3

Disclaimer

This site makes available conceptual plans that can be helpful in developing building layouts and selecting equipment for various agricultural applications. These plans may be outdated and do not necessarily represent the most current technology, construction codes, or agricultural practices. They are not construction plans and do not replace the need for competent design assistance in developing safe, legal and well-functioning agricultural building system. The University of Arkansas Cooperative Extension Service, the United States Department of Agriculture and none of the cooperating land-grant universities warranty these plans.