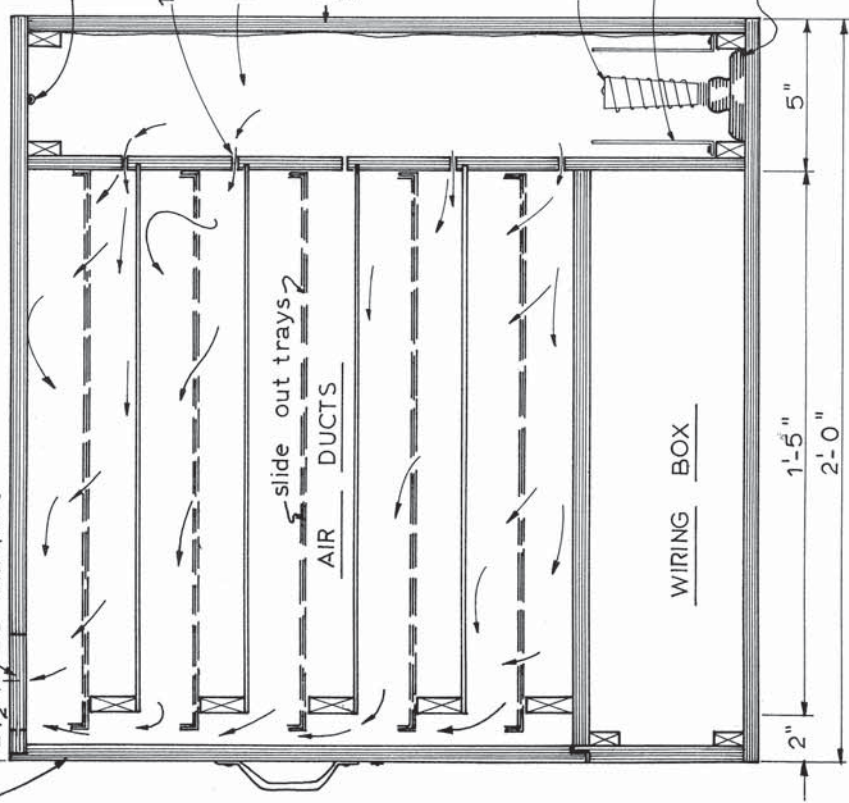


FRUIT DRIER

PLAN NO. 731001	COOPERATIVE EXTENSION SERVICE	SHEET 1 of 6
University of Arkansas Division of Agriculture		U. S. Department of Agriculture Cooperating

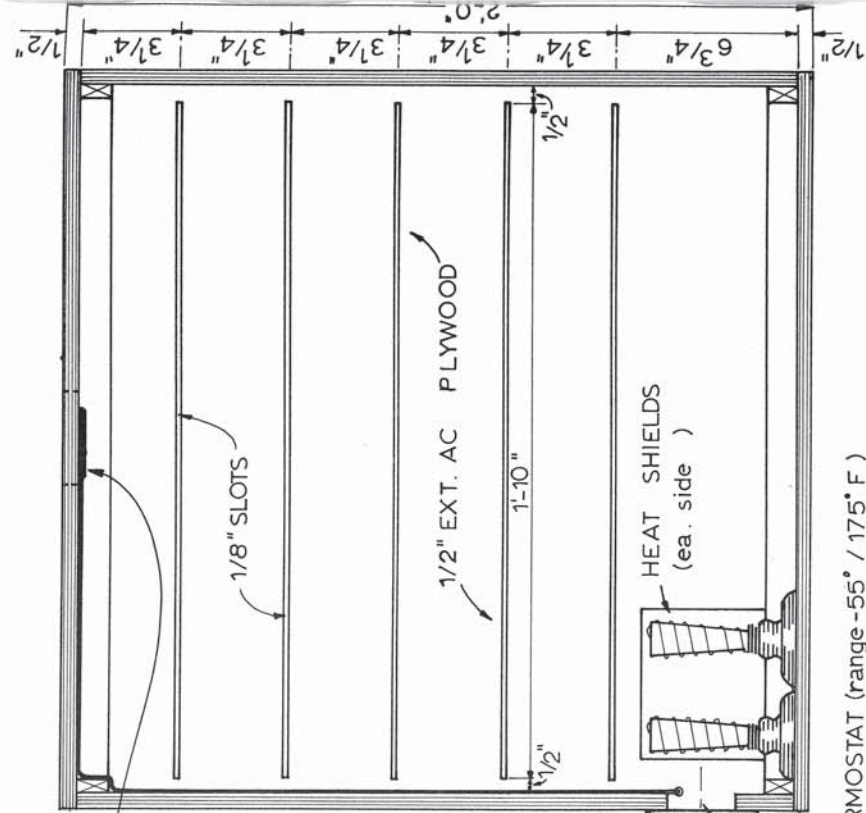
1/2" PLYWOOD DOOR

AIR EXHAUST
3" dia. port



LEFT SIDE SECTION VIEW scale 3"=1'-0"

SUGGESTION:
INSTALL ALL WIRING BEFORE
INSTALLING AIR DUCTS.



BACK -SECTION VIEW " PLENUM "

REMOTE SENSING
BULB FOR THERMOSTAT

1/8" SLOTS

PLENUM
CHAMBER

REMOVABLE BACK
PANEL (LINE W/
ALUM. FOIL)

1/45 HP DAYTON MOD. #
2C781, 115 v. - 2870 RPM; R.
80 cfm. @ 1/2" s.p. - fan &
motor (constant run)

1 KW -110 V. CONE-
TYPE RESIST. HEAT-
ING ELEMENTS
2-5" x 4" x 16 ga. sht.
metal shields

110 V. SURFACE MOUNT
PORCELAIN SOCKET

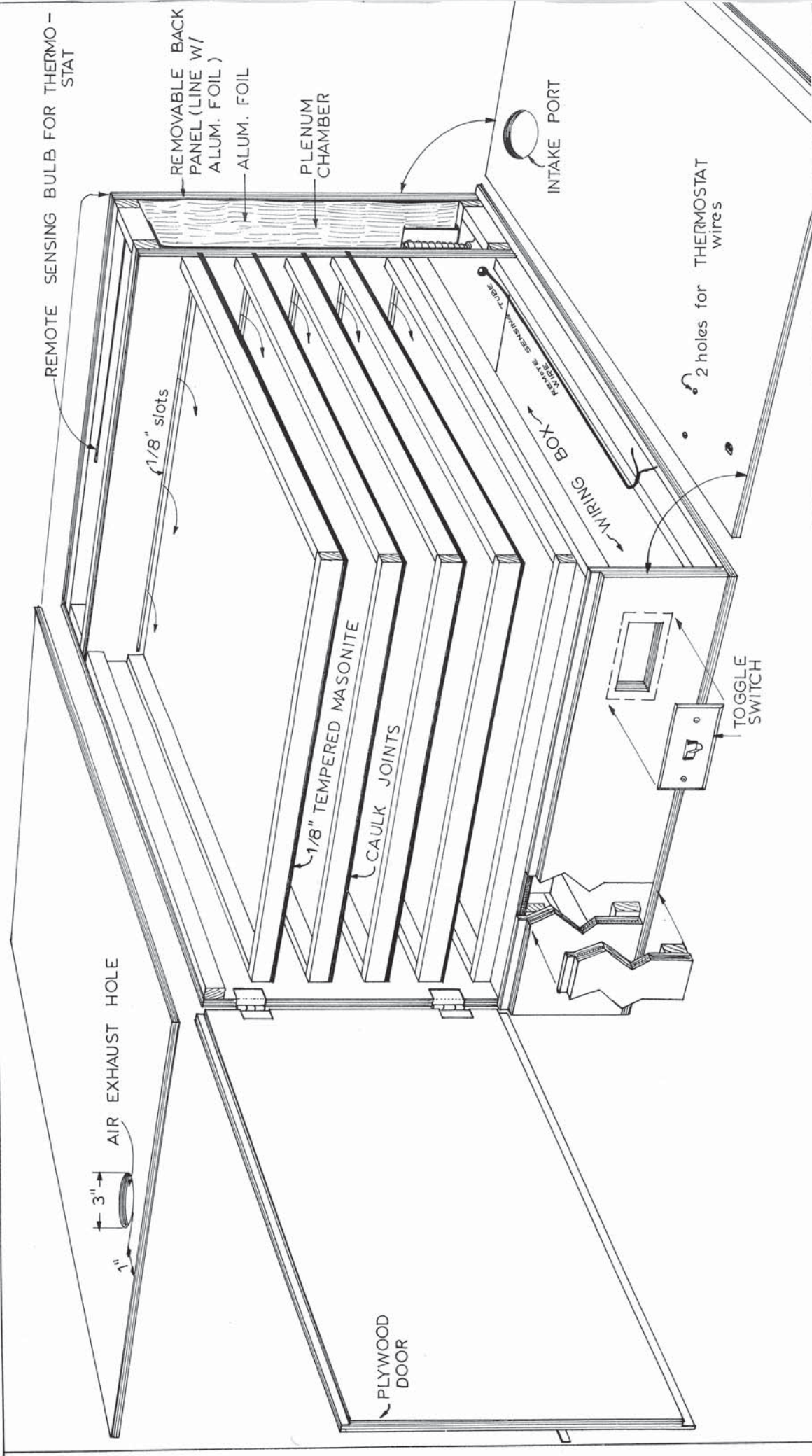
THERMOSTAT (range -55° / 175° F)
HEATING ONLY

CAUTION:
HEAT SHIELDS MUST BE
INSTALLED TO MIN. FIRE
HAZARD.

FRUIT DRIER

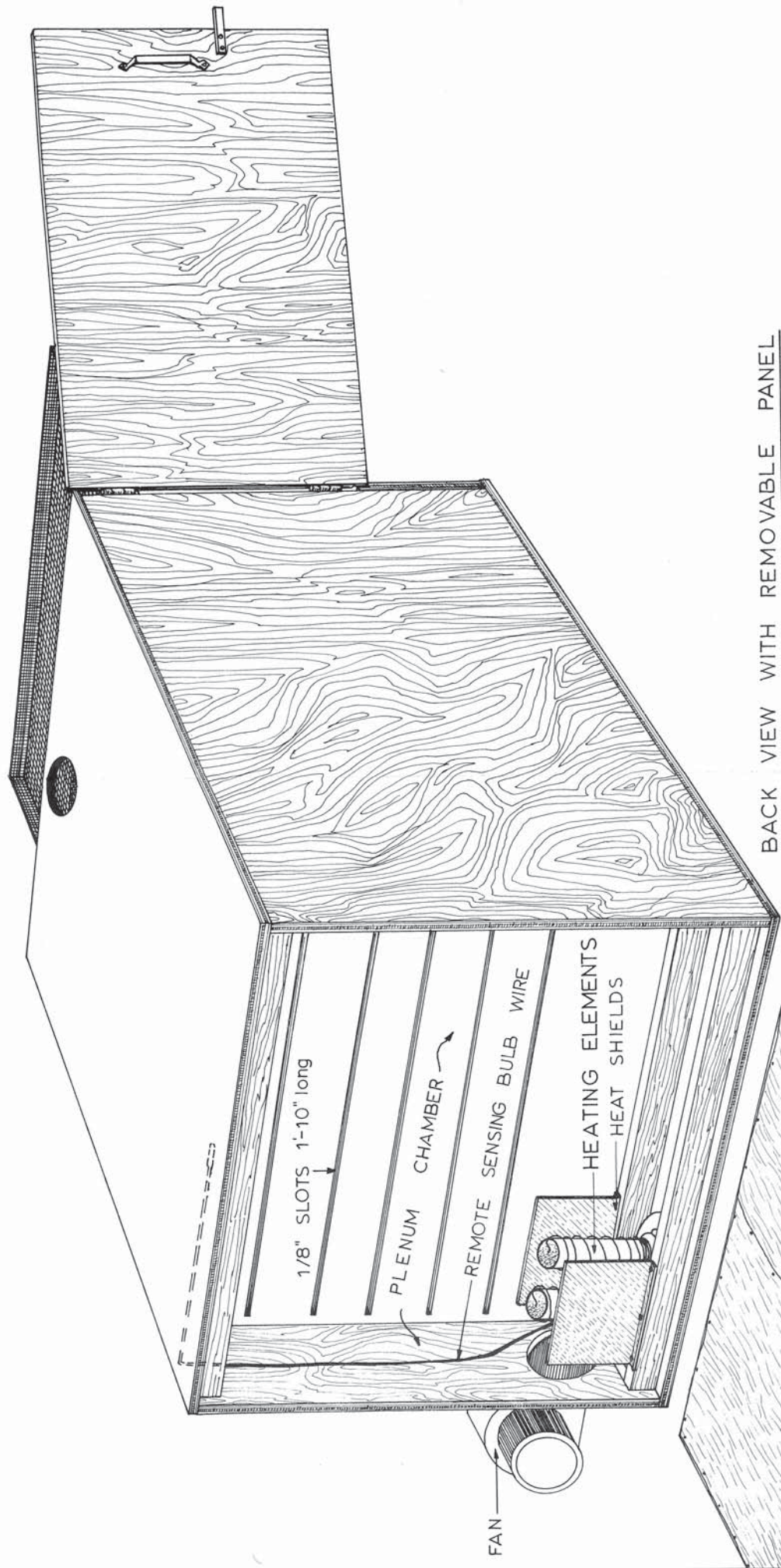
PLAN NO. 731001 COOPERATIVE EXTENSION SERVICE SHEET 2 of 6

University of Arkansas
Division of Agriculture
U. S. Department of Agriculture
Cooperating



FRUIT DRIER

PLAN NO. 731001	COOPERATIVE EXTENSION SERVICE	SHEET 4 of 6
University of Arkansas Division of Agriculture	U. S. Department of Agriculture Cooperating	



BACK VIEW WITH REMOVABLE PANEL

ALUM. FOIL
REMOVABLE PANEL

FRUIT DRIER

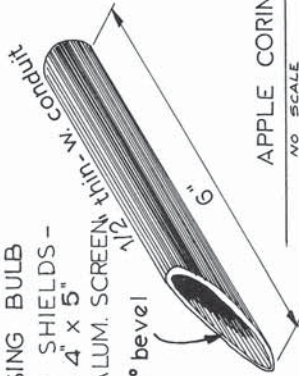
PLAN NO. 731001 COOPERATIVE EXTENSION SERVICE SHEET 5 OF 6

University of Arkansas
Division of Agriculture

U. S. Department of Agriculture
Cooperating

BILL OF MATERIALS

- 1 - 4'x 8'x 1/2" AC EXT. PLYWOOD
- 1 - 4'x 4'x 1/8" TEMPERED MASONITE
- 1 - 4'x 4'x 1/4 gal. HARDWARE CLOTH
- 6 - 1"x 2"x 8' NO. 1 FIR
- 1/2# 4d BOX NAILS
- 12 - NO 10 WOOD SCREWS
- 1 - SET 1 1/2" HINGES & DOOR HANDLE
- 2 - 1 kw - 110 v. cone type HEATING ELEMENTS
- 2 - 110 v. SURFACE MT. PORCEL. LIGHT SOCKETS
- 1 - 110 v. 2870 rpm "DAYTON" MOD. #2C781 FAN W/ MOTOR
- 1 - 110 v. SINGLE POLE SWITCH & COVER.
- 1 - ELECT. SWITCH BOX
- 1 - ELECT. JUNCTION BOX
- 1 - 55/175° F THERMOSTAT W/REMOTE SENSING BULB
- 2 - HEAT SHIELDS - 16ga. 4' x 5"
- 1 - 4'x 4' ALUM. SCREEN 1/2" thin-w. CONDUIT WIRE 60° bevel



FRUIT DRYING PROCEDURE

APPLES:

- A. PEEL, CORE, & SLICE IN 1/4" RINGS
- B. DIP FRUIT IN BLEACHING SOLUTION* FOR 2 MINUTES.
- C. PLACE PREPARED FRUIT IN LARGE PLASTIC BAG, SEAL, & REFRIG. OVER-NIGHT FOR BEST RESULTS.
- D. PLACE FRUIT EVENLY IN TRAYS, & PLACE TRAYS IN DRIER.
- E. SET THERMOSTAT @ 165° F
- F. DRY TO 15-20% MOISTURE W.B.
- G. APPX. TIME REQ. TEMP. OUTSIDE AIR

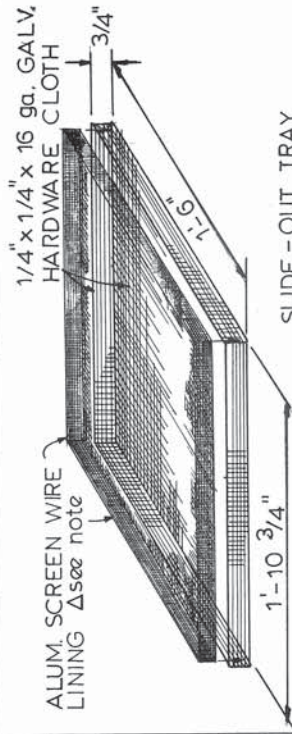
(HRS.)	(° F)
10 - 11	60
9 - 10	70
7 - 8	80

PEACHES:

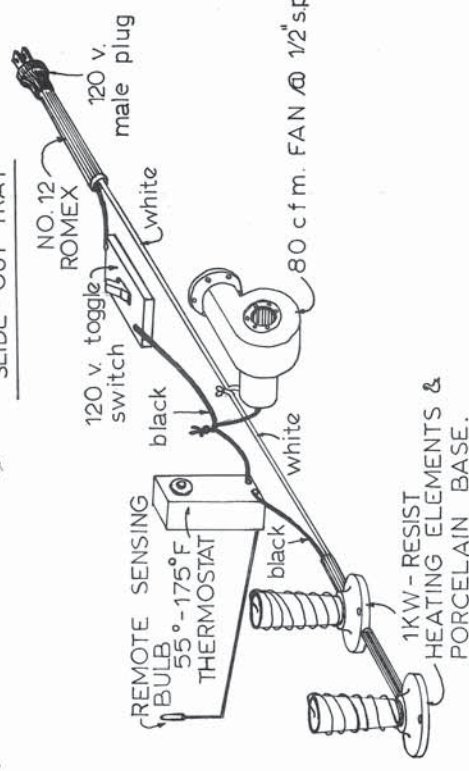
- A. PEEL, PIT, & SLICE INTO 1/4 sections
- B.-D. AS ABOVE.
- E. SET THERMOSTAT @ 145° F.
- F. DRY TO 15-20% MOISTURE W.B.
- G. APPX. TIME REQ. TEMP. OUTSIDE AIR

(HRS.)	(° F)
12 - 13	60
11 - 12	70
11 - 12	80

* for bleaching agent use:
3 level teaspoons of 60% SODIUM BISULFITE PER QT. OF WATER.



SLIDE-OUT TRAY



WIRING DIAGRAM

NOTE: CIRCUIT: 120 V.- 20 A. MIN.

Δ NOTE (INSERTED SCREEN WIRE LINING IS SUGGESTED TO REDUCE THE POSSIBILITY OF FRUIT CONTACTING GALV HARDWARE CLOTH.)

FRUIT DRIER

PLAN NO. 731001

COOPERATIVE EXTENSION SERVICE

SHEET 6 of 6

University of Arkansas
Division of Agriculture

U. S. Department of Agriculture
Cooperating

Disclaimer

This site makes available conceptual plans that can be helpful in developing building layouts and selecting equipment for various agricultural applications. These plans may be outdated and do not necessarily represent the most current technology, construction codes, or agricultural practices. They are not construction plans and do not replace the need for competent design assistance in developing safe, legal and well-functioning agricultural building system. The University of Arkansas Cooperative Extension Service, the United States Department of Agriculture and none of the cooperating land-grant universities warranty these plans.