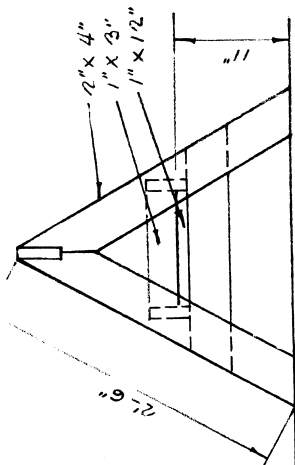
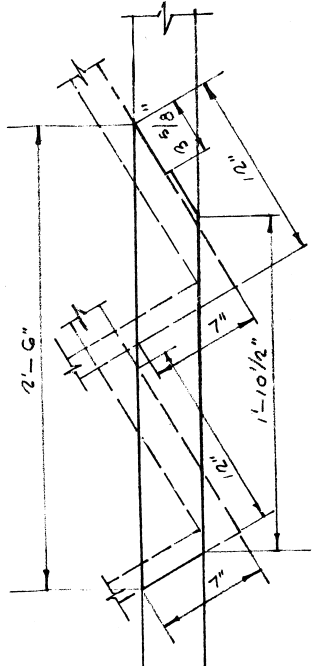


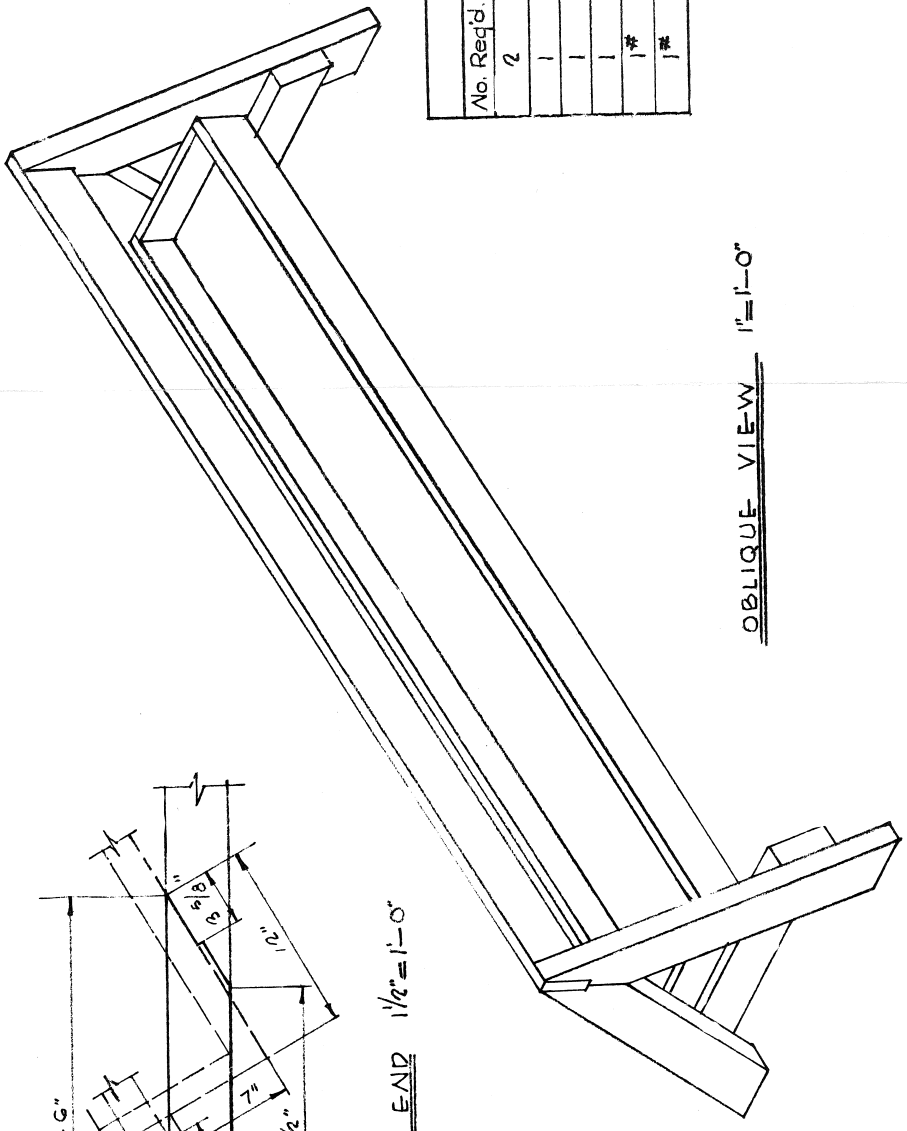
SIDE ELEVATION 1" = 1'-0"



END ELEVATION 1" = 1'-0"



DETAIL OF END 1/2" = 1'-0"



OBLIQUE VIEW 1" = 1'-0"

BILL OF MATERIALS				
No. Reqd.	Size	Length	Grade	Remarks
2	1" x 4"	8'-0"	NO. 1 Y. P.	Sides
1	1" x 4"	12'-0"	NO. 1 Y. P.	Ties - Ends - Cleats
1	1" x 1/2"	8'-0"	NO. 1 Y. P.	Floor
1	2" x 4"	14'-0"	NO. 1 Y. P.	Framing
1 #	8 d		COM.	Nails
1 #	16 d		COM.	Nails

FEED BUNK FOR SHEEP  
 EXTENSION SERVICE  
 UNIVERSITY OF ARKANSAS  
 COLLEGE OF AGRICULTURE  
 AND  
 U.S. DEPT. OF AGRIC. COOPERATING  
 3-6-52 DRAWN BY   
 SHEET 1 OF 1 PLAN NO. 24002

## Disclaimer

This site makes available conceptual plans that can be helpful in developing building layouts and selecting equipment for various agricultural applications. These plans may be outdated and do not necessarily represent the most current technology, construction codes, or agricultural practices. They are not construction plans and do not replace the need for competent design assistance in developing safe, legal and well-functioning agricultural building system. The University of Arkansas Cooperative Extension Service, the United States Department of Agriculture and none of the cooperating land-grant universities warranty these plans.