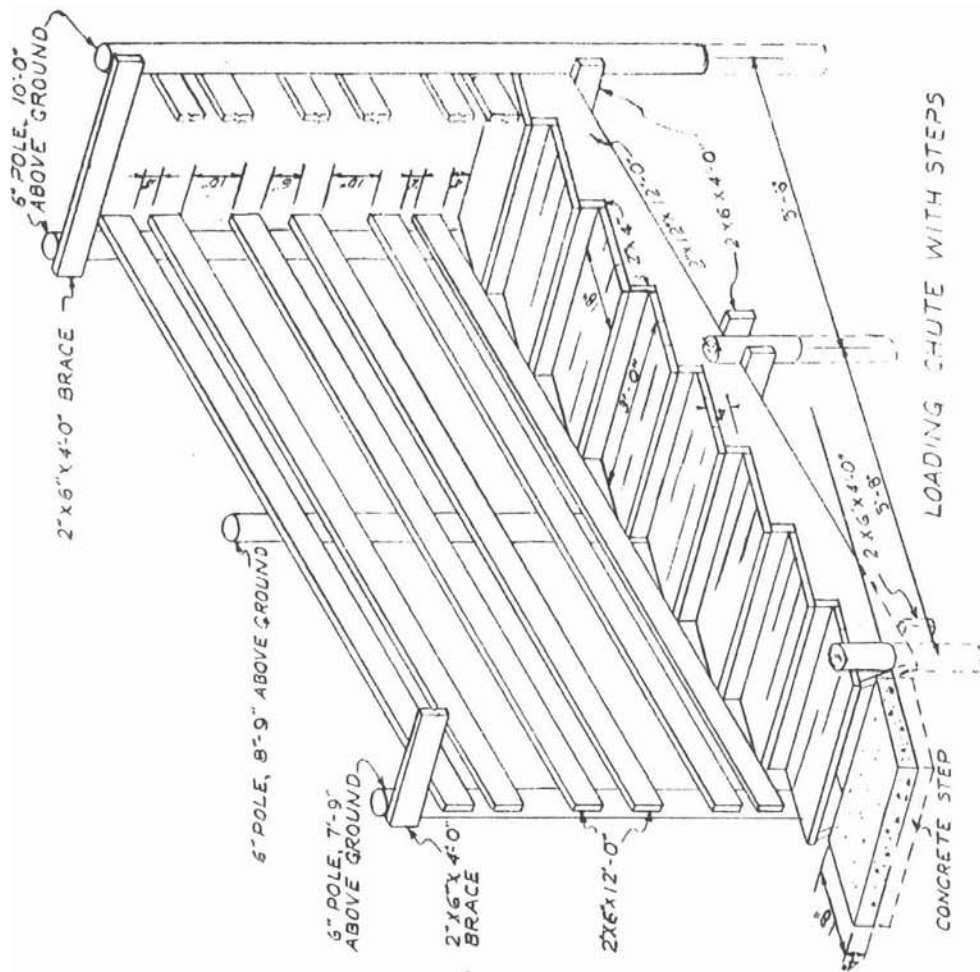
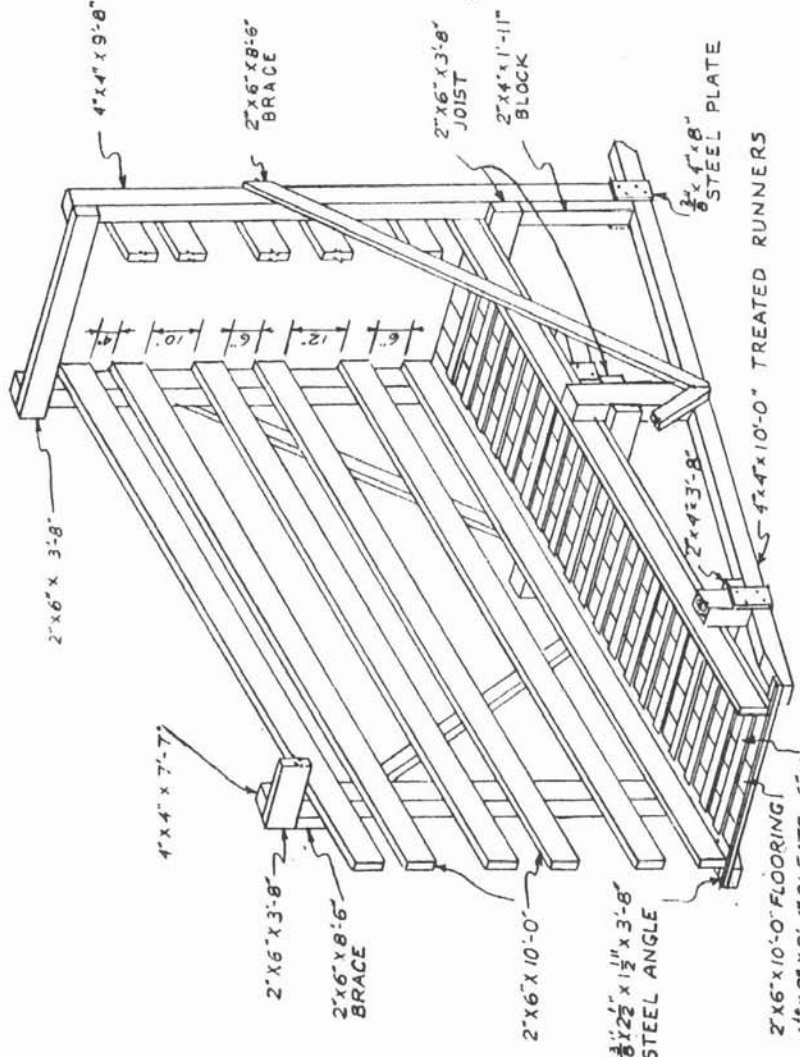


NOTE:
 ALL POLES AND WOOD
 IN CONTACT WITH GROUND
 TO BE PRESSURE TREATED
 SET POLES 2'-6" OR MORE
 INTO GROUND



LOADING CHUTE WITH STEPS



PORTABLE LOADING CHUTE

OBTAIN WORKING DRAWINGS FROM
 COUNTY EXTENSION OFFICE

| |
|---|
| LOADING CHUTES |
| AGRICULTURAL EXTENSION SERVICE |
| University of Arkansas College of Agriculture and Home Economics |
| U. S. Department of Agriculture Cooperating |
| PLAN NO. 56500S |

Disclaimer

This site makes available conceptual plans that can be helpful in developing building layouts and selecting equipment for various agricultural applications. These plans may be outdated and do not necessarily represent the most current technology, construction codes, or agricultural practices. They are not construction plans and do not replace the need for competent design assistance in developing safe, legal and well-functioning agricultural building system. The University of Arkansas Cooperative Extension Service, the United States Department of Agriculture and none of the cooperating land-grant universities warranty these plans.